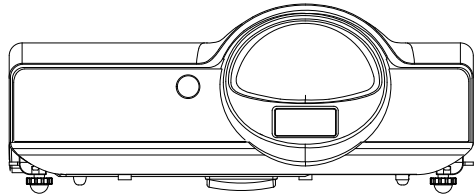
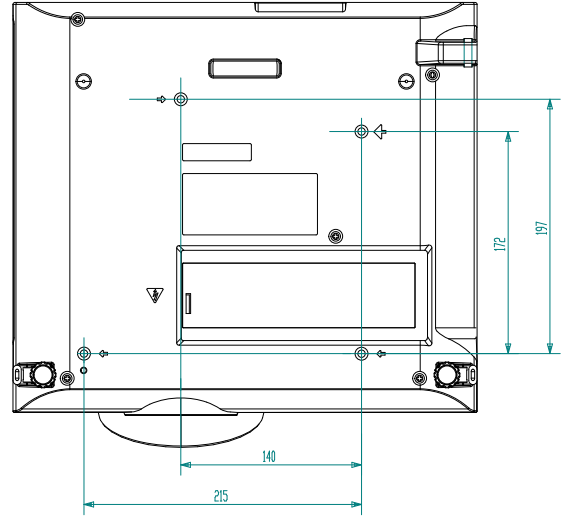
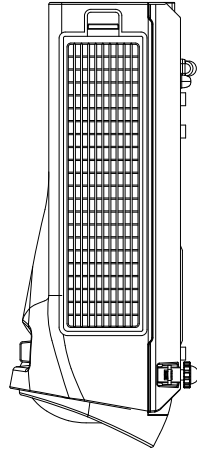
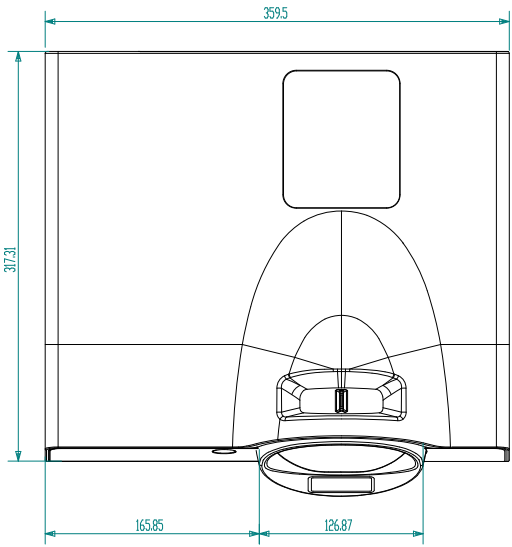
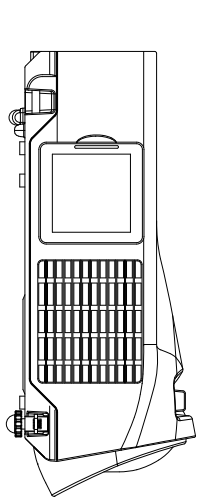
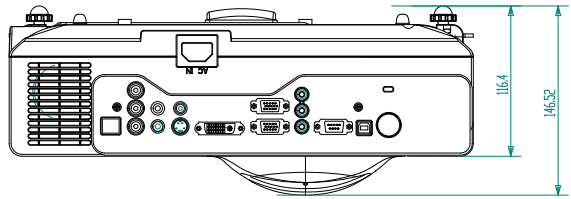



| 製圖加工 |     | 設備訂正欄 |      |     |  |
|------|-----|-------|------|-----|--|
| 符号   | 年月日 | 訂正番号  | 訂正内容 | 担当者 |  |
|      |     |       |      |     |  |
|      |     |       |      |     |  |



|   |         |        |           |         |          |                |           |           |
|---|---------|--------|-----------|---------|----------|----------------|-----------|-----------|
|  |         |        | APPROVE   | CHECKED | DESIGNED | DRAWN          | PART NAME | PART NAME |
| PLLOT DATE  | 11/2/16 | SCALE  | 1/4       |         |          |                | 外観        |           |
| MATERIAL  | UNIT    | WEIGHT | PART CODE |         |          | DRAWING NUMBER |           |           |
|   |         |        | LC-XP2630 |         |          |                |           |           |