

6,000 Lumens · WUXGA · 3LCD · 10,000:1 Contrast
1.29~2.11:1 Throw:Width Lens

EK-308UA

Meeting Room Series Projector



Key Features

- 6,000 center lumens bright with 80% uniformity and a 10,000:1 contrast ratio.
- Native WUXGA resolution. Compatible with inputs up-to UXGA and WUXGA.
- Supports analog and digital video input in all color standards up-to 1080p.
- HDMI with MHL (Mobile High-Def Link) displays HD Video from smartphones & tablets
- Convenient mid-range (1.6:1) manual zoom and focus lens.
- Horizontal, Vertical & Corner Keystone Correction.
- Horizontal & Vertical manual lens shift.
- Built-in 10 Watt amplifier and speaker system. Closed Caption decoding.
- Side-accessed air filter & top accessed lamp for ease of maintenance.
- Wired network control and monitoring.
- Compatible with Crestron RoomView™ & AMX Device Discovery Technology.



EIKI



CRESTRON
RoomView
connected

EK-308UA

WUXGA 3LCD Portable Projector



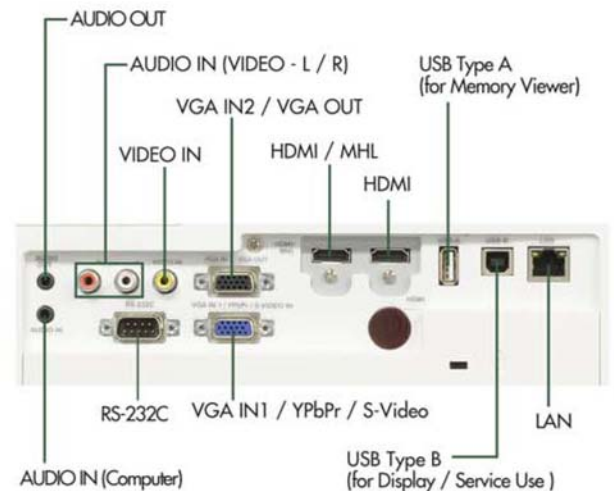
• Specifications

Model	EK-308UA	
Display Type	0.64" 3LCD	
Resolution	WUXGA (1920 x 1200)	
Aspect Ratio	16:10	
Brightness (Center Lumens)	6,000 lumens	
Contrast Ratio	10,000:1	
Projection Lamp	300 Watts	
Est. Lamp Life (Eco / Normal)	4,000 / 3,000 hours	
Image Diagonal	30-300"	
Lens (F Value / Focal Length)	f: 1.6-1.9; FL: 0.7-1.15 in (17.8-29.1 mm)	
Zoom Ratio	Manual x 1.6	
Throw Distance	2.23-37.5 ft (0.68-11.43 m)	
Throw:Width Ratio	1.29-2.11:1	
Lens Shift	V: +/- 45% H: +/- 9% (Manual)	
Keystone Correction	V: +/- 30° H: +/- 15°, Corner Keystone	
Projection Elevation Adjustment	up-to 10°	
Scanning Frequency	H Sync. 15-100 KHz, V Sync. 48-85 Hz	
Dot Clock	up-to 150 MHz	
Input Signals - Computer	WUXGA (1920 x 1200) - VGA (640 x 480)	
Input Signals - Video	1080 i/p, 720 p, 576 i/p, 480 i/p	
Terminal	HDMI In	HDMI x 2 (1 HDMI supports MHL)
	VGA In	Dsub15 x 2
	Video In	RCA x 1
	USB	USB Type A x 1 (Memory Viewer)
		USB Type B x 2 (Display / Firmware)
	VGA Out	Dsub15 x 1 (shared with VGA IN 2)
	Audio In	RCA x 2 (L/R), 3.5mm MiniStereo x 1
	Audio Out	3.5mm MiniStereo x 1
	LAN	RJ45 x 1
RS-232C	Dsub9 x 1	
Built-in Speaker	Mono 10 Watt	
Fan Noise (Eco / Normal)	35.9 dB / 40.9 dB	
Dimensions (W x H x D)	15.5 x 5.0 x 12.5 in (39.5 x 12.8 x 31.8 cm)	
Weight	9.9 lb (4.5 kg)	
Power Requirements	100-240V AC, 50/60 Hz	
Power Consumption	0.5 W in Eco Standby mode, up-to 420 W	
Thermal Dissipation	up-to 1,433 BTU	
Standard Accessories	Detachable AC Power Cord, HDMI Cable, Quick Start Guide, Remote Control (with 2 x AAA Batteries)	

• Dimensions



• Terminals



• Lens Specs

1.6X Manual Zoom and Focus Lens
 f: 1.6-1.9; FL: 0.70-1.145 in (17.8-29.1 mm)
 Throw to Width: 1.29-2.11:1

Distance Chart

		Screen Width (feet)				
		4	6	8	10	12
Throw Distance (feet)	Wide	5.2	7.7	10.3	12.9	15.5
	Tele	8.4	12.7	16.9	21.1	25.3

Eiki International, Inc.

22552 Avenida Empresa, Rancho Santa Margarita, CA 92688
 Phone: 800-242-3454 · Email: usa@eiki.com · Web: www.eiki.com

Specifications subject to change without notice.

EIKI® is a registered trademark of EIKI International, Inc.

3LCD and 3LCD Logo are registered trademark of Seiko Epson Corporation.

HDMI® is a registered trademark of HDMI Licensing LLC.

Crestron Roomview™ is a registered trademark of Crestron Electronics, Inc

©2022 Eiki International, Inc.

2022/09-V1 GW