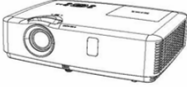
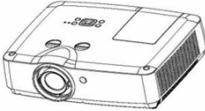
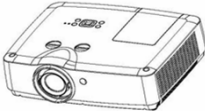


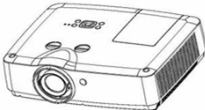
**Lens Chart**

**Widescreen Attached Lens Projectors**

<b>EK-100W</b>								<b>Screen Dimensions.</b>									
Resolution: WXGA (1280x800) Aspect Ratio: (16 : 10)								<b>H'</b>	2.5	3.8	5	6.3	7.5	10	13.3		
				<b>W'</b>	4.0	6.0	8.0	10.0	12.0	16.0	21.2*						
				<b>D''</b>	57	85	113	142	170	226	300						
<b>Diagonal</b>				<b>T/W</b>			<b>Shift/Limits</b>		<b>Throw (Distance to Screen) in feet.</b>								
Min: 30"				1.48		13:1		5.9				8.9	11.8	14.8	17.7	23.7	31.4
Max: 300"				1.78		(fixed)		7.1				10.7	14.2	17.8	21.4	28.5	37.8

<b>EK-301W</b>								<b>Screen Dimensions.</b>									
Resolution: WXGA (1280x800) Aspect Ratio: (16 : 10)								<b>H'</b>	2.5	3.8	5	6.3	7.5	10	13.3		
				<b>W'</b>	4.0	6.0	8.0	10.0	12.0	16.0	21.2*						
				<b>D''</b>	57	85	113	142	170	226	300						
<b>Diagonal</b>				<b>T/W</b>			<b>Shift/Limits</b>		<b>Throw (Distance to Screen) in feet.</b>								
Min: 30"				1.40		10:1		5.6				8.4	11.2	14.0	16.8	22.4	29.6
Max: 300"				2.26		(fixed)		9.1				13.6	18.1	22.6	27.2	36.2	48.0

<b>EK-300U / EK-303U / EK-305U</b>								<b>Screen Dimensions.</b>									
Resolution: WUXGA (1920x1200) Aspect Ratio: (16 : 10)								<b>H'</b>	2.5	3.8	5	6.3	7.5	10	13.3		
				<b>W'</b>	4.0	6.0	8.0	10.0	12.0	16.0	21.2*						
				<b>D''</b>	57	85	113	142	170	226	300						
<b>Diagonal</b>				<b>T/W</b>			<b>Shift/Limits</b>		<b>Throw (Distance to Screen) in feet.</b>								
Min: 30"				1.30		13:1		5.2				7.8	10.4	13.0	15.6	20.8	27.5
Max: 300"				2.11		(fixed)		8.4				12.7	16.9	21.1	25.3	33.7	44.7

<b>EK-307W</b>								<b>Screen Dimensions.</b>									
Resolution: WXGA (1280x800) Aspect Ratio: (16 : 10)								<b>H'</b>	2.5	3.8	5	6.3	7.5	10	13.3		
				<b>W'</b>	4.0	6.0	8.0	10.0	12.0	16.0	21.2*						
				<b>D''</b>	57	85	113	142	170	226	300						
<b>Diagonal</b>				<b>T/W</b>			<b>Shift/Limits</b>		<b>Throw (Distance to Screen) in feet.</b>								
Min: 30"				1.16		13:1		4.6				6.9	9.3	11.6	13.9	18.5	24.5
Max: 300"				1.89		(fixed)		7.6				11.3	15.1	18.9	22.7	30.2	40.0

\* Large screen sizes are best used for background images / environmental purposes.

**How to use the T/W column.** If your screen size does not appear on this chart, use the T/W column to find the lens you need. Divide the Throw distance by the screen Width to get your "target T/W number". Then, look for a lens with a T/W range that covers it.