

EIKI

EXPAND SERIAL COMMAND

FUNCTIONAL SPECIFICATIONS

LC-XB40N

Ver. 0.01

- CONTENTS -

1. Overview	7
2. Serial Interface Specification	7
2.1 Transfer Specification	7
2.2 Connection	7
3. Notes for communication	8
4. Name Definition	8
5. Functional Execution Command Table	9
5.1 Image Command Table	9
5.2 PC Adjust Control Command Table	9
5.3 Video Control Command Table	9
5.4 Input Control Command Table	9
5.5 Screen Command Table	10
5.6 Lamp Command Table	10
5.7 Sound Command Table	10
5.8 Setting Command Table	10
6. Status Read Command Table	11
6.1 Image Status Read Command Table	11
6.2 PC Adjust Status Read Command Table	11
6.3 Video Status Read Command Table	11
6.4 Input Status Read Command Table	11
6.5 Screen Status Read Command Table	11
6.6 Lamp Status Read Command Table	12
6.7 Sound Status Read Command Table	12
6.8 Setting Status Read Command Table	12
6.9 Other Status Read Command	12
7. Error Code Table	13
8. Functional Execution Command	14
8.1 Format	14
8.2 Transfer Example	14
8.3 Operation Requirements	14
8.4 Image Command	15
8.4.1 CF_BRIGHT Command	15
8.4.2 CF_CONT Command	15
8.4.3 CF_COLOR Command	15
8.4.4 CF_TINT Command	16
8.4.5 CF_SHARP Command	16
8.4.6 CF_GAMMA Command	16
8.4.7 CF_WBAL - Command	17
8.4.8 CF_COLTEMP Command	17

8.4.9	CF_PROGV Command	17
8.4.10	CF_NZRED Command.....	18
8.4.11	CF_IMAGE Command	18
8.4.12	CF_IMAGEADJ Command	18
8.5	PC Adjust Control Command	19
8.5.1	CF_FSYNC Command.....	19
8.5.2	CF_TDOTS Command.....	19
8.5.3	CF_CLAMP Command	19
8.5.4	CF_H – POS Command.....	20
8.5.5	CF_V – POS Command	20
8.5.6	CF_DDOTS Command	20
8.5.7	CF_DLINE Command	21
8.5.8	CF_PCSTORE Command.....	21
8.5.9	CF_PCMODEFREE Command.....	21
8.6	Video Control Command	22
8.6.1	CF_AVDDOTS Command.....	22
8.6.2	CF_AVDLINE Command.....	22
8.6.3	CF_AVHPOS Command	22
8.6.4	CF_AVVPOS Command	22
8.6.5	CF_AVSERV Command.....	23
8.7	Input Control Command	24
8.7.1	CF_INPUT Command	24
8.7.2	CF_SOURCE Command.....	24
8.7.3	CF_INPUT_%1_%2 Command.....	25
8.7.4	CF_SYSTEM Command	25
8.8	Screen Control Command	26
8.8.1	CF_SCREEN Command	26
8.8.2	CF_DZCENT Command	26
8.8.3	CF_KEYSTONE Command	26
8.8.4	CF_KYSTNMODE Command	27
8.8.5	CF_VSCALE Command	27
8.8.6	CF_VPOS Command	27
8.8.7	CF_HSCALE Command	28
8.8.8	CF_VPOS Command	28
8.9	Lamp Command	29
8.9.1	CF_LAMPH Command	29
8.9.2	CF_LAMPMODE Command	29
8.10	Sound Command.....	29
8.10.1	CF_VOLUME Command.....	29
8.10.2	CF_MUTE Command.....	29

8.11	Setting Command	30
8.11.1	CF_BBACK Command.....	30
8.11.2	CF_DISP Command.....	30
8.11.3	CF_LOGO Command.....	30
8.11.4	CF_CEIL Command.....	30
8.11.5	CF_REAR Command.....	31
8.11.6	CF_RCODE Command.....	31
8.11.7	CF_LANG Command.....	31
8.11.8	CF_INPUTSEARCH Command.....	32
8.11.9	CF_ON – STA Command.....	32
8.11.10	CF_P – MANE Command.....	32
8.11.11	CF_P – MANETIME Command.....	32
8.11.12	CF_FANSPEED Command.....	33
8.11.13	CF_KEYDIS Command.....	33
8.11.14	CF_STANDBYMODE Command.....	33
8.11.15	CF_POINTER Command.....	33
8.11.16	CF_FDEFAULT Command.....	34
8.11.17	CF_AUTOSETUP Command.....	34
8.11.18	CF_LOGOCAPTURE Command.....	34
8.11.19	CF_FANMODE Command.....	34
8.11.20	CF_FILH Command.....	35
8.11.21	CF_FILTIMER Command.....	35
9.	Status Read Command	36
9.1	Format.....	36
9.2	Transfer Example.....	36
9.3	Operation Condition.....	36
9.4	Image Status Read Command.....	37
9.4.1	CR_BRIGHT Command.....	37
9.4.2	CR_CONT Command.....	37
9.4.3	CR_COLOR Command.....	37
9.4.4	CR_TINT Command.....	37
9.4.5	CR_SHARP Command.....	37
9.4.6	CR_GAMMA Command.....	38
9.4.7	CR_WBAL – R Command.....	38
9.4.8	CR_WBAL – G Command.....	38
9.4.9	CR_WBAL – B Command.....	38
9.4.10	CR_COLTEMP Command.....	38
9.4.11	CR_NZRED Command.....	39
9.4.12	CR_PROGV Command.....	39
9.4.13	CR_IMAGE Command.....	39

9.4.14	CR_IMGGMD Command	39
9.5	PC Adjust Status Read Command	40
9.5.1	CR_FSYNC Command	40
9.5.2	CR_TDOTS Command	40
9.5.3	CR_CLAMP Command.....	40
9.5.4	CR_H – POS Command	40
9.5.5	CR_V – POS Command.....	41
9.5.6	CR_DDOTS Command.....	41
9.5.7	CR_DLINE Command.....	41
9.5.8	CR_PCSTORE Command	41
9.5.9	CR_SETPCADJ Command.....	42
9.6	Video Status Read Command.....	42
9.6.1	CR_SERSYS Command	42
9.7	Input Status Read Command.....	43
9.7.1	CR_INPUT Command.....	43
9.7.2	CR_SOURCE Command	43
9.7.3	CR_INPUT_%1 Command.....	43
9.7.4	CR_SYSTEM Command.....	44
9.8	Screen Status Read Command	45
9.8.1	CR_SCREEN Command.....	45
9.8.2	CR_FLSCREEN Command.....	45
9.8.3	CR_TRUE Command.....	45
9.8.4	CR_KYSTNMODE Command.....	45
9.8.5	CR_VSCALE Command	46
9.8.6	CR_VPOS Command.....	46
9.8.7	CR_HSCALE Command.....	46
9.8.8	CR_HPOS Command	46
9.9	Lamp Status Read Command.....	47
9.9.1	CR_LAMPREPL Command	47
9.9.2	CR_LAMPMODE Command.....	47
9.9.3	CR_PROJH Command	47
9.9.4	CR_LAMPH Command.....	47
9.10	Sound Status Read Command	48
9.10.1	CR_VOLUME Command	48
9.10.2	CR_MUTE Command	48
9.11	Setting Status Read Command	48
9.11.1	CR_BBACK Command.....	48
9.11.2	CR_DISP Command	48
9.11.3	CR_LOGO Command	48
9.11.4	CR_RCODE Command.....	49

9.11.5	CR_LANG Command	49
9.11.6	CR_INPUTSEARCH Command.....	49
9.11.7	CR_ON-STA Command	49
9.11.8	CR_P – MANE Command.....	50
9.11.9	CR_P – MANETIME Command	50
9.11.10	CR_FANSPEED Command.....	50
9.11.11	CR_KEYDIS Command.....	50
9.11.12	CR_STANDBYMODE Command	50
9.11.13	CR_POINTER Command	51
9.11.14	CR_AUTOSETUP Command	51
9.11.15	CR_FANMODE Command	51
9.11.16	CR_FILH Command	51
9.11.17	CR_FILREPL Command	52
9.11.18	CR_FILTIMER Command.....	52
9.12	Other Status Read Command.....	52
9.12.1	CR_SIGNAL Command	52
9.12.2	CR_VMUTE Command	52
9.12.3	CR_FREEZE Command	52
9.12.4	CR_PTIMER Command	53
9.12.5	CR_TEMPWARN Command.....	53
9.12.6	CR_TEMPFAIL Command	54

1. Overview

- 1.1 This Functional Specification defines communication functions for PLC-XB40N (0.8" XGA).
- 1.2 Compatible to Firmware Ver. 1.x of the projector.
- 1.3 Most commands can be used to control projector remotely from PC by RS-232C. Therefore, the commands are defined as Expand Serial Commands.

2. Serial Interface Specification

2.1 Transfer Specification

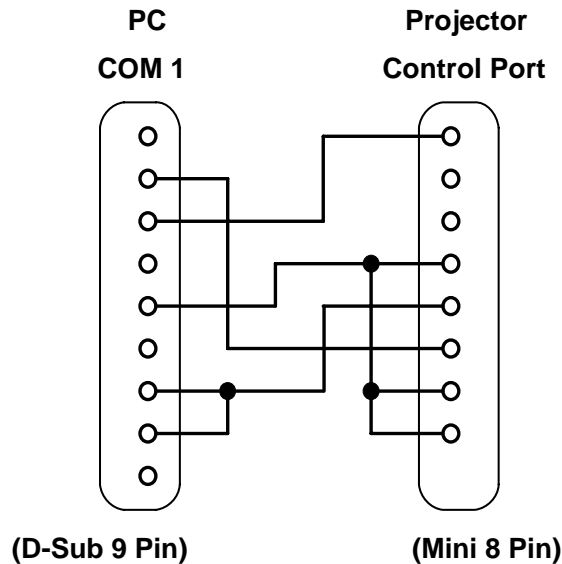
Item	Specification
Synchronous System	Asynchronous
Transmission Speed	9600 / 19200
Data Length	8 bit
Parity	N/A
Stop Bit	1
Flow Control	N/A

Note1) Transmission Speed : initial setting value is 19200

Note2) Transmission Speed can be changed in service mode.

2.2 Connection

Dedicated serial cable must be used for a connection to a computer and a projector.



3. Notes for communication

3.1 Expand Serial Command is defined as one command / one line that starts with “C” and ends with carriage return (0x0D)

3.2 There are two types of commands: Functional Execution Command and Status Read Command.

- Example of Functional Execution Command: “CF_BRIGHT_032”[CR]

- Example of Status Read Command: “CR_RIGHT”[CR]

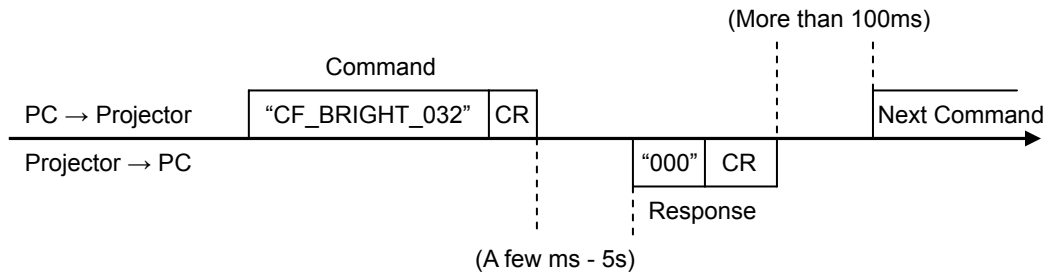
- Example of Control Switch Command: “PF_LANMODE_1”[CR]

Note) ”_” means a space

3.3 When it takes more than one second to receive one command, it is not executed.

When it takes more than one second to receive carriage return (0x0D) after the projector receives the first data “C”, it clears the information of buffer.

3.4 On command pipelining, wait for the interval of 100ms till sending next command after receiving a response.



3.4.1 When a computer sends next command before receiving a response, the projector may not operate properly.

3.4.2 Except when there is no response for more than 5 seconds.

3.5 It takes about 5 seconds for internal initialization after plugging in AC power. During this time commands cannot be processed. Do not issue any command.

4. Name Definition

4.1 Data from a controller to a projector is represented as COMMAND, and data from a projector to a controller for the incoming command is represented as RESPONSE.

4.2 [CR] : Carriage Return Code

Command ends with cartridge return code.

Response also ends with carriage return code.

4.3 _ : Space Code

All space Code is indicated by (_).

4.4 %1 : Parameter in Command

When there are some parameters, they are defined as %2, %3...

4.5 %%% : Error code returned from a projector

Acceptable: “000”.

Unacceptable: See [7. Error Code Table].

4.6 %a : Parameter in Response Command

When there are some parameters, they are defined as %b, %c...

5. Functional Execution Command Table

5.1 Image Command Table

Execute command	Item
CF_BRIGHT_%1[CR]	Set Brightness value
CF_CONT_%1[CR]	Set Contrast value
CF_COLOR_%1[CR]	Set Color value
CF_TINT_%1[CR]	Set Tint value
CF_SHARP_%1[CR]	Set Sharpness value
CF_GAMMA_%1[CR]	Set Gamma value
CF_WBAL-R_%1[CR]	Set White Balance Red value
CF_WBAL-G_%1[CR]	Set White Balance Green value
CF_WBAL-B_%1[CR]	Set White Balance Blue value
CF_COLTEMP_%1[CR]	Set Color Temp. value
CF_NZRED_%1[CR]	Set/Cancel Noise reduction
CF_PROGV_%1[CR]	Set /Cancel Progressive Scan
CF_IMAGE_%1[CR]	Set Image mode
CF_IMAGEADJ_%1[CR]	Reset/Store for Image Adjustment

5.2 PC Adjust Control Command Table

Execute command	Item
CF_FSYNC_%1[CR]	Set Fine Sync value
CF_TDOTS_%1[CR]	Set Total Dots value
CF_CLAMP_%1[CR]	Set Clamp Value
CF_H-POS_%1[CR]	Set Horizontal Position value
CF_V-POS_%1[CR]	Set Vertical Position value
CF_DDOTS_%1[CR]	Set Display Dots value
CF_DLINE_%1[CR]	Set Display Line value
CF_PCSTORE_%1[CR]	Store the setting value in PC Adjust menu to Mode 1-5
CF_PCMODEFREE_%1[CR]	Delete the registered value in Mode1-5 and return it to Free status

5.3 Video Control Command Table

Execute command	Item
CF_AVDDOTS_%1[CR]	Set value of AV Horizontal Resolution
CF_AVDLINE_%1[CR]	Set value of AV Vertical Resolution
CF_AVHPOS_%1[CR]	Set value of AV Horizontal Position
CF_AVVPOS_%1[CR]	Set value of AV Vertical Position
CF_AVSERV_%1[CR]	Return the value set by command such as CF_AVDDOTS / CF_AVDLINE to default value

5.4 Input Control Command Table

Execute command	Item
CF_INPUT_%1[CR]	Select Input
CF_SOURCE_%1[CR]	Select Input Source
CF_INPUT_%1_%2[CR]	Select Input and Source
CF_SYSTEM_%1[CR]	Select System

5.5 Screen Command Table

Execute command	Item
CF_SCREEN_%1[CR]	Select Screen size
CF_DZCENT_%1[CR]	Cancel Digital Zoom mode
CF_KEystone_%1[CR]	Set Keystone
CF_KYSTNMODE_%1[CR]	Set Keystone Store mode
CF_VSCALE_%1[CR]	Set value of Vertical scale
CF_VPOS_%1[CR]	Set value of Vertical position
CF_HSCALE_%1[CR]	Set value of Vertical scale
CF_HPOS_%1[CR]	Set value of Horizontal position

5.6 Lamp Command Table

Execute command	Item
CF_LAMPH_%1[CR]	Reset total running time for each lamp
CF_LAMPMODE_%1[CR]	Select Lamp mode

5.7 Sound Command Table

Execute command	Item
CF_VOLUME_%1[CR]	Set Volume value
CF_MUTE_%1[CR]	Control ON/OFF of Sound Mute

5.8 Setting Command Table

Execute command	Item
CF_BBACK_%1[CR]	Set Blue Back function
CF_DISP_%1[CR]	Set Display function
CF_LOGO_%1[CR]	Set Logo function
CF_CEIL_%1[CR]	Set Ceiling function
CF_REAR_%1[CR]	Set Rear function
CF_RCODE_%1[CR]	Select Remote Control Reception Code
CF_LANG_%1[CR]	Select language for OSD
CF_INPUTSEARCH_%1[CR]	Set Input search function
CF_ON-STA_%1[CR]	Set Power ON Start function
CF_P-MANE_%1[CR]	Set Power management function
CF_P-MANETIME_%1[CR]	Set Power management time
CF_FANSPEED_%1[CR]	Select Fan Speed
CF_KEYDIS_%1[CR]	Prohibit RC/Projector keys
CF_STANDBY_MODE_%1[CR]	Set Standby Mode
CF_POINTER_%1_%2[CR]	Set Pointer mode
CF_FDEFAULT_%1[CR]	Set the value to Factory Default
CF_AUTOSSETUP_%1_%2[CR]	Set Auto Setup
CF_LOGOCAPTURE_%1[CR]	Capture a projected image
CF_FANMODE_%1[CR]	Select Fan mode
CF_FILH_%1[CR]	Reset Filter used time
CF_FILTIMER_%1[CR]	Set time when Filter warning OSD is displayed

6. Status Read Command Table

6.1 Image Status Read Command Table

Status read command	Item
CR_BRIGHT[CR]	Get Brightness value
CR_CONT[CR]	Get Contrast value
CR_COLOR[CR]	Get Color value
CR_TINT[CR]	Get Tint value
CR_SHARP[CR]	Get Sharpness value
CR_GAMMA[CR]	Get Gamma value
CR_WBAL-R[CR]	White Balance Red value
CR_WBAL-G[CR]	White Balance Green value
CR_WBAL-B[CR]	White Balance Blue value
CR_COLTEMP[CR]	Get setting value of Color temperature
CR_NZRED[CR]	Get setting status of Noise reduction
CR_PROGV[CR]	Get setting status of Progressive scan
CR_IMAGE[CR]	Get Selected Image status
CR_IMGGMD[CR]	Get setting value of Image Gamma

6.2 PC Adjust Status Read Command Table

Status read command	Item
CR_FSYNC[CR]	Get setting value of Fine Sync
CR_TDOTS[CR]	Get setting value of Total Dots
CR_CLAMP[CR]	Get setting value of Clamp
CR_H-POS[CR]	Get setting value of Horizontal Position
CR_V-POS[CR]	Get setting value of Vertical Position
CR_DDOTS[CR]	Get setting value of Display Dots
CR_DLINE[CR]	Get setting value of Display Line
CR_PCSTORE[CR]	Get Free or Stored status for PC Adj. mode1-5
CR_SETPCADJ[CR]	Get current PC signal for PC display status

6.3 Video Status Read Command Table

Status read command	Item
CR_SERSYS[CR]	Get selected current signal. When in Auto mode, it returns a result by Auto detect.

6.4 Input Status Read Command Table

Status read command	Item
CR_INPUT[CR]	Get selected Input No.
CR_SOURCE[CR]	Get selected source of currently selected Input
CR_INPUT_%1[CR]	Get status of selected input and selected source
CR_SYSTEM[CR]	Get selected system status in Input mode

6.5 Screen Status Read Command Table

Status read command	Item
CR_SCREEN[CR]	Get selected screen size
CR_FLSCREEN[CR]	Get setting status of Full Screen mode
CR_TRUE[CR]	Get setting status of True mode
CR_KYSTNMODE[CR]	Get setting status of Keystone Store mode
CR_VSCALE[CR]	Get setting status of Vertical Scale
CR_VPOS[CR]	Get setting status of Vertical Position
CR_HSCALE[CR]	Get setting status of Horizontal Scale
CR_HPOS[CR]	Get setting status of Horizontal Position

6.6 Lamp Status Read Command Table

Status read command	Item
CR_LAMPREPL[CR]	Get the information for Lamp replacement time
CR_LAMPMODE[CR]	Get Lamp Mode status
CR_PROJH[CR]	Get projector total running time
CR_LAMPH[CR]	Get lamp total running time

6.7 Sound Status Read Command Table

Status read command	Item
CR_VOLUME[CR]	Get Volume value
CR_MUTE[CR]	Get Sound Mute setting status

6.8 Setting Status Read Command Table

Status read command	Item
CR_BBACK[CR]	Get setting status of Blue Back
CR_DISP[CR]	Get setting status of Display
CR_LOGO[CR]	Get setting status of Logo
CR_RCODE[CR]	Get selected Remote Control Code
CR_LANG[CR]	Get selected language
CR_INPUTSEARCH[CR]	Get setting status of Input search
CR_ON-STA[CR]	Get setting status of ON Start
CR_P-MANE[CR]	Get setting status of Power management
CR_P-MANETIME[CR]	Get setting time for Power management
CR_FANSPEED[CR]	Get selected Fan Control Speed
CR_KEYDIS[CR]	Get RC/KEY prohibited status
CR_STANDBYMODE[CR]	Get setting status of Standby Mode
CR_POINTER[CR]	Get setting status of Pointer
CR_AUTOSETUP_%1[CR]	Get setting status of Auto set up
CR_FANMODE[CR]	Get selected Fan mode
CR_FILH[CR]	Get Filter used time
CR_FILREPL[CR]	Get the information for Filter replacement time
CR_FILTIMER[CR]	Get time when Filter warning OSD is displayed

6.9 Other Status Read Command

Status read command	Item
CR_SIGNAL[CR]	Get Signal Status if there is a signal or not
CR_VMUTE[CR]	Get setting status of No Show
CR_FREEZE[CR]	Get setting status of Freeze
CR_PTIMER[CR]	Get the operating status of Presentation Timer
CR_INFPPFAIL[CR]	-----
CR_TEMPWARN[CR]	Get Temperature Status if it is close to abnormal temperature
CR_TEMPFAIL[CR]	Get temperature when sensors approach abnormal temperature

7. Error Code Table

Error Code	Contents
?	-When the received data cannot be decoded -Parameter determination error (digit number error, including invalid value, etc.)
000	Normal reception (No error)
101	The function is not available in the selected Mode
102	Selected value is out of range (Not reflected)
103	Command mismatched to Hardware (command for Optional function which is not installed)
201	When reached upper or lower limit of increasing or decreasing data
301	Command cannot be executed during capturing display. Resend the command after a while
402	Command cannot be executed during PIN code operation. Resend the command after a while.

Note) These error codes are applied to Expand Command, not to Basic Command

8. Functional Execution Command

8.1 Format

- 1) PC issues commands in format as below:

Pattern1 : “CF_ COMMAND” [CR]

Pattern2 : “CF_ COMMAND ”%1 [CR]

CF_ : Header

COMMAND : Character line

%1 : Parameter (Character line)

_ : Space (To separate COMMAND and Parameter)

- 2) The projector decodes the received command and when it is ready to receive the next command, it returns the response.

“000” [CR] : (0x06, 0x0D) When receiving Functional Execution Command

“nnn” [CR] : Except “000” , when it is unable to execute command by any specific reason.

See Error Code Table for details

- 3) When the received data cannot be decoded, the projector returns “?” [CR]

8.2 Transfer Example

When setting projector's total dots to 1344 by Expand Serial Command

PC → PJ: "CF_TDOTS_1344" [CR]

PC ← PJ: "000"[CR] - - - - - Acceptable

8.3 Operation Requirements

Functional Execution Command is limited when the projector status is as below.

However, Status Read Command is effective even under these conditions.

Projector Status	Available Functional Execution Command
Standby Mode	C00: POWER ON
Countdown in process	C00: POWER ON (Terminates Countdown) C01: POWER OFF C02: POWER OFF (Terminates Countdown)
Cooling down in process	N/A
Cooling down in process due to Abnormal Temperature	N/A
Abnormal Temperature	N/A
Power Failure (For 60 seconds after Power Failure occurred)	N/A
Power Save / Cooling down in process	N/A
Power Save in process	C00: POWER ON C01: POWER OFF

Note:) When the projector receives the other command in this above status, it returns error code to show the status.

When the projector receives the following functional execution commands, OSD menu is closed except for pop-up menu

8.4 Image Command

8.4.1 CF_BRIGHT Command

Command	"CF_BRIGHT_%1"[CR]	
%1	"000~063" ----- Directly select Brightness setting value "UP" ----- Current Brightness setting value + 1 "DN" ----- Current Brightness setting value - 1	
Details	Set Brightness value of user control The value set by this command will not be saved to the projector. Therefore, when ALL is OFF, the value returns to the original setting. (The value is held in Standby mode.) This command is available in the normal Power ON status.	
Response	Acceptable	"000"[CR]
	Unacceptable	"Error Code"[CR]

8.4.2 CF_CONT Command

Command	"CF_CONT_%1"[CR]	
%1	"000~063" ----- Directly select Contrast setting value "UP" ----- Current Contrast setting value + 1 "DN" ----- Current Contrast setting value - 1	
Details	Set Contrast value of user control The value set by this command will not be saved to the projector. Therefore, when ALL is OFF, the value returns to the original setting. (The value is held in Standby mode.) This command is available in the normal Power ON status.	
Response	Acceptable	"000"[CR]
	Unacceptable	"Error Code"[CR]

8.4.3 CF_COLOR Command

Command	"CF_COLOR_%1"[CR]	
%1	"000~063" ----- Directly select Color setting value "UP" ----- Current Color setting value + 1 "DN" ----- Current Color setting value - 1	
Details	Set Color value of user control The value set by this command will not be saved to the projector. Therefore, when ALL is OFF, the value returns to the original setting. (The value is held in Standby mode) This command is available in the normal Power ON status.	
Response	Acceptable	"000"[CR]
	Unacceptable	"Error Code"[CR]

8.4.4 CF_TINT Command

Command	"CF_TINT_%1"[CR]	
%1	"000~063" ----- Directly select Tint setting value "UP" ----- Current Tint setting value + 1 "DN" ----- Current Tint setting value - 1	
Details	Set Tint value of user control The value set by this command will not be saved to the projector. Therefore, when ALL is OFF, the value returns to the original setting. (The value is held in Standby mode) This command is available in the normal Power ON status.	
Response	Acceptable	"000"[CR]
	Unacceptable	"Error Code"[CR]

8.4.5 CF_SHARP Command

Command	"CF_SHARP_%1"[CR]	
%1	"000~015" ----- Directly select Sharpness setting value "UP" ----- Current Sharpness setting value + 1 "DN" ----- Current Sharpness setting value - 1	
Details	Set Sharpness value of user control The value set by this command will not be saved to the projector. Therefore, when ALL is OFF, the value returns to the original setting (The value is held in Standby mode) This command is available in the normal Power ON status.	
Response	Acceptable	"000"[CR]
	Unacceptable	"Error Code"[CR]

8.4.6 CF_GAMMA Command

Command	"CF_GAMMA_%1"[CR]	
%1	"000~015" ----- Directly set Gamma setting value "UP" ----- Current Gamma setting value + 1 "DN" ----- Current Gamma setting value - 1	
Details	Set Gamma value of user control The value set by this command will not be saved to the projector. Therefore, when ALL is OFF, the value returns to the original setting (The value is held in Standby mode) This command is available in the normal Power ON status.	
Response	Acceptable	"000"[CR]
	Unacceptable	"Error Code"[CR]

8.4.7 CF_WBAL - Command

Command	"CF_WBAL-%1_%2"[CR]	
%1	" R " ----- Red " G " ----- Green " B " ----- Blue	
%2	"000~063" ----- Directly select Color value specified by White Balance%1 "UP" ----- Current Color value set by White Balance%1 + 1 "DN" ----- Current Color value set by White Balance%1 - 1	
Details	Set Color value set by White Balance%1 of user control The value set by this command will not be saved to the projector. Therefore, when ALL is OFF, the value returns to the original setting (The value is held in Standby mode) This command is available in the normal Power ON status.	
Response	Acceptable	"000"[CR]
	Unacceptable	"Error Code"[CR]

8.4.8 CF_COLTEMP Command

Command	"CF_COLTEMP_%1"[CR]	
%1	"000" ----- Xlow "001" ----- Low "002" ----- Mid "003" ----- High	
Details	Set Color Temperature. (Available only in the normal Power ON status) The value set by this command will not be saved to the projector. Therefore, when ALL is OFF, the value returns to the original setting (The value is held in Standby mode) This command is available in the normal Power ON status.	
Response	Acceptable	"000"[CR]
	Unacceptable	"Error Code"[CR]

8.4.9 CF_PROGV Command

Command	"CF_PROGV_%1"[CR]	
%1	"FILM" ----- Select Progressive Mode FILM "L1" ----- Select Progressive Mode L1 "L2" ----- Select Progressive Mode L2 "OFF" ----- Cancel Progressive scan	
Details	Set / cancel Progressive scan (Available only in the normal Power ON status) The value set by this command will not be saved to the projector. Therefore, when ALL is OFF, the value returns to the original setting (The value is held in Standby mode) This command is available in the normal Power ON status.	
Response	Acceptable	"000"[CR]
	Unacceptable	"Error Code"[CR]

8.4.10 CF_NZRED Command

Command	"CF_NZRED_%1"[CR]	
%1	"OFF" ----- Cancel Noise Reduction "L1" ----- Noise Reduction for moving image "L2" ----- Noise Reduction for still image	
Details	Noise Reduction based on frame correlation Select L1 or L2 depending on motion detection L2 is more effective in reducing noise than L1, however, L2 can have a blur in moving image	
Response	Acceptable	"000"[CR]
	Unacceptable	"Error Code"[CR]

8.4.11 CF_IMAGE Command

Command	"CF_IMAGE_%1"[CR]	
%1	"DYNAMIC" ----- Dynamic (Fixed value to enable projection with a sharp, powerful picture tone) "STAND" ----- Standard (Image adjust value is set to factory default) "REAL" ----- Real (Fixed value to display graphic image with natural tone) "CINEMA" ----- Cinema (Fixed value to focus on tone reproduction for movie) "BLACKBOARD" – Blackboard (Fixed value to project image onto green-colored blackboard) "CUSTOM1" ----- Image1 (the value set and stored by a user) "CUSTOM2" ----- Image2 (the value set and stored by a user) "CUSTOM3" ----- Image3 (the value set and stored by a user) "CUSTOM4" ----- Image4 (the value set and stored by a user)	
Details	Select Image Mode (Available only in the normal Power ON status) Parameter "CUSTOM1" to "CUSTOM4" is the same as "Image1" to "Image4" displayed when selecting Image on OSD menu. The value set by this command is stored in EEPROM and its setting is effective even after ALL is OFF.	
Response	Acceptable	"000"[CR]
	Unacceptable	"Error Code"[CR]

8.4.12 CF_IMAGEADJ Command

Command	"CF_IMAGEADJ_%1"[CR]	
%1	"RST" ----- Reset Image adjustment "STR1" ----- Store current Image adjustment to Image 1 "STR2" ----- Store current Image adjustment to Image 2 "STR3" ----- Store current Image adjustment to Image 3 "STR4" ----- Store current Image adjustment to Image 4	
Details	Reset / store Image adjustment. (Available only in the normal Power ON statement) Parameter "STR1" to "STR4" is the same as "Image1" to "Image4" displayed when adjusting Image on OSD menu and selecting "Store" The value stored to "Image1-4" is saved and its setting is effective even after ALL is OFF.	
Response	Acceptable	"000"[CR]
	Unacceptable	"Error Code"[CR]

8.5 PC Adjust Control Command

8.5.1 CF_FSYNC Command

Command	"CF_FSYNC_%1"[CR]	
%1	"0000~0031" ----- Directly select Fine Sync setting value "UP" ----- Current Fine Sync setting value + 1 "DN" ----- Current Fine Sync setting value - 1	
Details	Set Fine Sync value of PC signal (Available only in the normal Power ON status) The value set by this command will not be saved to the projector. Therefore, when ALL is OFF, the value returns to the original setting (The value is held in Standby mode)	
Response	Acceptable	"000"[CR]
	Unacceptable	"101"[CR] --- when Input for Video is selected

8.5.2 CF_TDOTS Command

Command	"CF_TDOTS_%1"[CR]	
%1	"nnnn~mmmm" --- Directly select Total Dots setting value "nnnn" shows minimum value, it is current Display Dots value + Horizontal Position value. "mmmm" shows maximum value, which depends on current input signal. "UP" ----- Current Total Dots setting value + 1 "DN" ----- Current Total Dots setting value - 1	
Details	Set Total Dots of PC signal (Available only in the normal Power ON status) The value set by this command will not be saved to the projector. Therefore, when ALL is OFF, the value returns to the original setting (The value is held in Standby mode)	
Response	Acceptable	"000"[CR]
	Unacceptable	"101"[CR] ---- when Input for Video is selected

8.5.3 CF_CLAMP Command

Command	"CF_CLAMP_%1"[CR]	
%1	"mmmm~nnnn" ---- Directly select Clamp setting value "mmmm" shows minimum value, fixed-value "0001". "nnnn" shows maximum value: it depends on input signal. "UP" ----- Current Clamp setting value + 1 "DN" ----- Current Clamp setting value - 1	
Details	Set Clamp value of PC signal (Available only in the normal Power ON status) The value set by this command will not be saved to the projector. Therefore, when ALL is OFF, the value returns to the original setting (The value is held in Standby mode)	
Response	Acceptable	"000"[CR]
	Unacceptable	"101"[CR] ---- when Input for Video is selected

8.5.4 CF_H – POS Command

Command	"CF_H-POS_%1"[CR]	
%1	"0000~nnnn" --- Directly select Horizontal Position setting value "nnnn" shows maximum value, it is current Total Dots value - Display Dots value "UP" ----- Current Horizontal Position setting value + 1 "DN" ----- Current Horizontal Position setting value - 1	
Details	Set Horizontal Position value of PC signal. (Available only in the normal Power ON status) The value set by this command will not be saved to the projector. Therefore, when ALL is OFF, the value returns to the original setting (The value is held in Standby mode)	
Response	Acceptable	"000"[CR]
	Unacceptable	"101"[CR] ---- when Input for Video is selected

8.5.5 CF_V – POS Command

Command	"CF_V-POS_%1"[CR]	
%1	"0000~nnnn" --- Directly select Vertical Position setting value "nnnn" shows maximum value, it is current Total Line value - Display Line value "UP" ----- Current Vertical Position setting value + 1 "DN" ----- Current Vertical Position setting value - 1	
Details	Set Vertical Position value of PC signal (Available only in the normal Power ON status) The value set by this command will not be saved to the projector. Therefore, when ALL is OFF, the value returns to the original setting (The value is held in Standby mode)	
Response	Acceptable	"000"[CR]
	Unacceptable	"101"[CR] ---- When Input source is Video system

8.5.6 CF_DDOTS Command

Command	"CF_DDOTS_%1"[CR]	
%1	"0100~"nnnn" --- Directly select Display Dots setting value "nnnn" shows maximum value, it is current Total Dots value - Horizontal Position value Even number is available and when odd number is set, it is rounded out. "UP" ----- Current Display Dots setting value + 2 "DN" ----- Current Display Dots setting value - 2	
Details	Set Display Dots value of PC signal The value set by this command will not be saved to the projector. Therefore, when ALL is OFF, the value returns to the original setting (The value is held in Standby mode) This command is available in the normal Power ON status.	
Response	Acceptable	"000"[CR]
	Unacceptable	"101"[CR] ---- When Input for Video is selected

8.5.7 CF_DLINE Command

Command	"CF_DLINE_%1"[CR]	
%1	"0100"~"nnnn" --- Directly select Display Line setting value "nnnn" shows maximum value, it is current Total Line value – Vertical Position value "UP" ----- Current Display Line setting value + 1 "DN" ----- Current Display Line setting value – 1	
Details	Set Display Line value of PC signal (Available only in the normal Power ON status) The value set by this command will not be saved to the projector. Therefore, when ALL is OFF, the value returns to the original setting (The value is held in Standby mode)	
Response	Acceptable	"000"[CR]
	Unacceptable	"101"[CR] ---- When Input for Video is selected

8.5.8 CF_PCSTORE Command

Command	"CF_PCSTORE_%1"[CR]	
%1	"MODE1" ---- Store current PC Adjust status to Mode1 "MODE2" ---- Store current PC Adjust status to Mode2 "MODE3" ---- Store current PC Adjust status to Mode3 "MODE4" ---- Store current PC Adjust status to Mode4 "MODE5" ---- Store current PC Adjust status to Mode5	
Details	Store current PC Adjust status (each parameter status such as Total dots) to Mode1~Mode5. This command operates the same way as storing to Mode1-Mode5 in PC Adjust MENU. (Available only in the normal Power ON status)	
Response	Acceptable	"000"[CR]
	Unacceptable	"101"[CR] ---- When Input for Video is selected

8.5.9 CF_PCMODEFREE Command

Command	"CF_PCMODEFREE_%1"[CR]	
%1	"MODE1" ---- Set Mode1 to Free status "MODE2" ---- Set Mode2 to Free status "MODE3" ---- Set Mode3 to Free status "MODE4" ---- Set Mode4 to Free status "MODE5" ---- Set Mode5 to Free status	
Details	Delete the registered data in Mode1-Mode5 and turns it to Free status. This command operates the same as turning Mode1-Mode5 to Free in PC Adjust Menu. (Available only in the normal Power ON status)	
Response	Acceptable	"000"[CR]
	Unacceptable	"101"[CR] ---- When Input for Video is selected

8.6 Video Control Command

8.6.1 CF_AVDDOTS Command

Command	"CF_AVDDOTS_%1"[CR]	
%1	"UP" ----- Current setting value + 1 "DN" ----- Current setting value - 1	
Details	Set AV Horizontal Resolution value. (Available only in the normal Power ON status) The value set by this command is stored in EEPROM and its setting is effective even after ALL is OFF. When there is no signal, it returns "101"[CR]	
Response	Acceptable	"000"[CR]
	Unacceptable	"101"[CR] ---- When Input for Computer is selected

8.6.2 CF_AVDLINE Command

Command	"CF_AVDLINE_%1"[CR]	
%1	"UP" ----- Current setting value + 1 "DN" ----- Current setting value - 1	
Details	Set AV Vertical Resolution value. (Available only in the normal Power ON status) The value set by this command is stored in EEPROM and its setting is effective even after ALL is OFF. When there is no signal, it returns "101"[CR]	
Response	Acceptable	"000"[CR]
	Unacceptable	"101"[CR] ---- When Input for PC is selected

8.6.3 CF_AVHPOS Command

Command	"CF_AVHPOS_%1"[CR]	
%1	"UP" ----- Current setting value + 1 "DN" ----- Current setting value - 1	
Details	Set AV Horizontal Position value. (Available only in the normal Power ON status) The value set by this command is stored in EEPROM and its setting is effective even after ALL is OFF. When there is no signal, it returns "101"[CR]	
Response	Acceptable	"000"[CR]
	Unacceptable	"101"[CR] ---- When Input for PC is selected

8.6.4 CF_AVVPOS Command

Command	"CF_AVVPOS_%1"[CR]	
%1	"UP" ----- Current setting value + 1 "DN" ----- Current setting value - 1	
Details	Set AV Vertical Position value. (Available only in the normal Power ON status) The value set by this command is stored in EEPROM and its setting is effective even after ALL is OFF. When there is no signal, it returns "101"[CR]	
Response	Acceptable	"000"[CR]
	Unacceptable	"101"[CR] ---- When Input for PC is selected

8.6.5 CF_AVSERV Command

Command	"CF_AVSERV_%1"[CR]	
%1	"RST"	
Details	Turn AV Horizontal/Vertical Resolution value set by commands such as "CF_AVDDOTS" / "CF_AVDLINE" to default value. (Available only in the normal Power ON status) The value set by this command is stored in EEPROM and its setting is effective even after ALL is OFF. When there is no signal, it returns "101"[CR]	
Response	Acceptable	"000"[CR]
	Unacceptable	"101"[CR] ---- When Input for PC is selected

8.7 Input Control Command

8.7.1 CF_INPUT Command

Command	"CF_INPUT_%1"[CR]	
%1	"CMP1-A" ----- Select Computer1 (Analog) Input "CMP1-D" ----- Select Computer1 (Digital) Input "COMPUTER2" ---- Select Computer2 Input "VIDEO" ----- Select Video Input "NETWORK" ----- Select WIRED Input "WI" ----- Select WIRELESS Input "MCI" ----- Select Memory Viewer	
Details	Select Input (Available only in the normal Power ON status) The same operation as "INPUT" button of the projector and remote Control.	
Response	Acceptable	"000"[CR]
	Unacceptable	"%%%"[CR]

8.7.2 CF_SOURCE Command

Command	"CF_SOURCE_%1"[CR]	
%1	Input is Computer 1 (Analog)	"ANALOG" ----- Select Analog Input
	Input is Computer 1 (Digital)	"DIGITAL" ----- Select DVI Input "HDCP" ----- Select DVI HDCP Input
	Input is Computer 2	"ANALOG" ----- Select Analog Input "YPBPR" ----- Select Component Input "SCART" ----- Select Scart Input
	Input is Video	"AUTO" ----- Select Video Auto mode "VIDEO" ----- Select Composite Video Input "S - VIDEO" ----- Select S-Video Input
Details	Select Source of currently selected Input (Available only in the normal Power ON status) When Input specified by %1 is inappropriate for selected Input, the projector returns "101" and this command is not executed. Note) When Input is Wired/Wireless/Viewer, selecting source is invalid. -> Error Code "101".	
Response	Acceptable	"000"[CR]
	Unacceptable	"%%%"[CR]

8.7.3 CF_INPUT_%1_%2 Command

Command	"CF_INPUT_%1_%2"[CR]	
%1	"COMPUTER1" ----- Select Computer1 Input "COMPUTER2" ----- Select Computer2 Input "VIDEO" ----- Select Analog Input	
%2	When %1 is COMPUTER1 "ANALOG" ----- Select Analog RGB Input "DIGITAL" ----- Select DVI Input "HDCP" ----- Select HDCP Input When %1 is COMPUTER2 "ANALOG" ----- Select Analog RGB Input "YPBPR" ----- Select Component Input "SCART" ----- Select SCART Input When %1 is VIDEO "AUTO" ----- Select Video Auto Mode "VIDEO" ----- Select Video Input "S-VIDEO" ----- Select S-Video Input	
Details	Select Input specified by %1 and also Source specified by %2 (Available only in the normal Power ON status)	
Response	Acceptable	"000"[CR]
	Unacceptable	"%%%"[CR]

8.7.4 CF_SYSTEM Command

Command	"CF_SYSTEM_%1"[CR]	
%1	Input is Computer	"MODE1" ----- Select Mode 1 "MODE2" ----- Select Mode 2 "MODE3" ----- Select Mode 3 "MODE4" ----- Select Mode 4 "MODE5" ----- Select Mode 5
	Input is Video	"AUTO" ----- Select System "Auto" "NTSC" ----- Select NTSC "NTSC443" ----- Select NTSC4.43 "PAL" ----- Select PAL "SECAM" ----- Select SECAM "PAL-M" ----- Select PAL-M "PAL-N" ----- Select PAL-N "1080I" ----- Select 1080i "1035I" ----- Select 1035i "720P" ----- Select 720p "575P" ----- Select 575p "480P" ----- Select 480p "575I" ----- Select 575i "480I" ----- Select 480i
Details	Select System of currently selected Input (Available only in the normal Power ON status) When Input specified by %1 is inappropriate for selected Input, the projector returns "101"[CR] and the command is not executed Note1) "NTSC" / "NTSC4.43" / "PAL" / "SECAM" / "PAL-M" / "PAL-N" is available only when Input is VIDEO / S-VIDEO Note2) "1080I" / "1035I" / "720P" / "575P" / "480P" / "575I" / "480I" is available only when Input is Y / Pb/Cb / Pr/Cr	
Response	Acceptable	"000"[CR]
	Unacceptable	"Error Code"[CR]

8.8 Screen Control Command

8.8.1 CF_SCREEN Command

Command	"CF_SCREEN_%1"[CR]	
%1	Input is Computer	"NORMAL" ----- Display 4:3 "WIDE" ----- Display 16:9 "TRUE" ----- Select True size "FULL" ----- Select Full screen size "CUSTOM" ----- Select Custom size "DZOOM_UP" ----- Expand image size with Digital Zoom "DZOOM_DN" ----- Reduce image size with Digital Zoom
	Input is Video	"NORMAL" ----- Display at 4:3 "WIDE" ----- Display at 16:9 "CUSTOM" ----- Select Custom size
Details	Select image size on screen. (Available only in the normal Power ON status) When Input specified by %1 is inappropriate for selected Input, the projector returns "101"[CR] and the command is not executed Note) "WIDE"/"NORMAL" is available only when Input signal is 4:3 and it is not available when Input signal is 16:9	
Response	Acceptable	"000"[CR]
	Unacceptable	"Error Code"[CR] "201"[CR] --- When reaches the correction limit

8.8.2 CF_DZCENT Command

Command	"CF_DZCENT_%1"[CR]	
%1	"CENT" ---- Cancel Digital Zoom (CENT: "CENTER")	
Details	Cancel Digital Zoom (Available only when Input for Computer is selected in the normal Power ON status)	
Response	Acceptable	"000"[CR]
	Unacceptable	"101"[CR] ----- when Input for Video is selected

8.8.3 CF_KEYSTONE Command

Command	"CF_KEYSTONE_%1"[CR]	
%1	"UP" ----- Correct Keystone distortion to reduce upper part of image "FUP" ----- Correct Keystone distortion to reduce upper part largely "DN" ----- Correct Keystone distortion to reduce lower part of image "FDN" ----- Correct Keystone distortion to reduce lower part largely "RST" ----- Set Keystone to OFF	
Details	Change Keystone distortion correction (Available only in the normal Power ON status)	
Response	Acceptable	"000"[CR]
	Unacceptable	"Error Code"[CR] "201"[CR] ----When reaches the Keystone correction limit or when reaches correction limit by 1 step with "FDN"/"FUP" (the command is not executed)

8.8.4 CF_KYSTNMODE Command

Command	"CF_KYSTNMODE_%1"[CR]	
%1	"STR" ----- Set Keystone store mode to Store "RST" ----- Set Keystone store mode to Reset	
Details	Set Keystone store mode (Available only in the normal Power ON status)	
Response	Acceptable	"000"[CR]
	Unacceptable	"Error Code"[CR]

8.8.5 CF_VSCALE Command

Command	"CF_VSCALE_%1"[CR]	
%1	"032" ----- +32 "031" ----- +31 : "002" ----- +2 "001" ----- +1 "000" ----- +0 "-01" ----- -1 "-02" ----- -2 : "-31" ----- -31 "-32" ----- -32 "UP" ----- Vertical Scale setting value + 1 "DN" ----- Vertical Scale setting value - 1	
Details	Set Vertical Scale (Available only in the normal Power ON status)	
Response	Acceptable	"000"[CR]
	Unacceptable	"Error Code"[CR]

8.8.6 CF_VPOS Command

Command	"CF_VPOS_%1"[CR]	
%1	"015" ----- +15 "014" ----- +14 : "002" ----- +2 "001" ----- +1 "000" ----- +0 "-01" ----- -1 "-02" ----- -2 : "-14" ----- -14 "-15" ----- -15 "UP" ----- Vertical Position setting value + 1 "DN" ----- Vertical Position setting value - 1	
Details	Set Vertical Position (Available only in the normal Power ON status)	
Response	Acceptable	"000"[CR]
	Unacceptable	"Error Code"[CR]

8.8.7 CF_HSCALE Command

Command	"CF_HSCALE_%1"[CR]	
%1	"032" ----- +32 "031" ----- +31 : "002" ----- +2 "001" ----- +1 "000" ----- ±0 "-01" ----- -1 "-02" ----- -2 : "-31" ----- -31 "-32" ----- -32 "UP" ----- Horizontal Scale setting value + 1 "DN" ----- Horizontal Scale setting value - 1	
Details	Set Horizontal Scale (Available only in the normal Power ON status)	
Response	Acceptable	"000"[CR]
	Unacceptable	"Error Code"[CR]

8.8.8 CF_VPOS Command

Command	"CF_HPOS_%1"[CR]	
%1	"015" ----- +15 "014" ----- +14 : "002" ----- +2 "001" ----- +1 "000" ----- ±0 "-01" ----- -1 "-02" ----- -2 : "-14" ----- -14 "-15" ----- -15 "UP" ----- Horizontal Position setting value + 1 "DN" ----- Horizontal Position setting value - 1	
Details	Set Horizontal Position (Available only in the normal Power ON status)	
Response	Acceptable	"000"[CR]
	Unacceptable	"Error Code"[CR]

8.9 Lamp Command

8.9.1 CF_LAMPH Command

Command	"CF_LAMPH_%1"[CR]	
%1	"RST"	
Details	Reset lamp total running time (Available only in the normal Power ON status)	
Response	Acceptable	"000"[CR]
	Unacceptable	"Error Code"[CR]

8.9.2 CF_LAMPMODE Command

Command	"CF_LAMPMODE_%1"[CR]	
%1	"HIGH" ----- Set lamp to High mode status "NORMAL" ----- Set lamp to Normal mode status "ECO" ----- Set lamp to 3L mode status "AUTO" ----- Set lamp to Auto mode status	
Details	Select Lamp Mode (Available only in the normal Power ON status) The value set by this command is stored in EEPROM and its setting is effective even after ALL is OFF.	
Response	Acceptable	"000"[CR]
	Unacceptable	"Error Code"[CR]

8.10 Sound Command

8.10.1 CF_VOLUME Command

Command	"CF_VOLUME_%1"[CR]	
%1	"000-063" ----- Directly select Volume setting value "UP" ----- Current Volume setting value +1 "DN" ----- Current Volume setting value -1	
Details	Control Volume value (Available only in the normal Power ON status) The same operation as Volume Up/Down with projector and RC, and directly select Volume setting value. When setting Volume value, the Sound Mute ON status is canceled just like RC operation. The value set by this command is stored in Projector.	
Response	Acceptable	"000"[CR]
	Unacceptable	"Error Code"[CR]

8.10.2 CF_MUTE Command

Command	"CF_MUTE_%1"[CR]	
%1	"ON" ----- Set Sound Mute to ON "OFF" ----- Set Sound Mute to OFF	
Details	Control Sound Mute ON/OFF (Available only in the normal Power ON status)	
Response	Acceptable	"000"[CR]
	Unacceptable	"Error Code"[CR]

8.11 Setting Command

8.11.1 CF_BBACK Command

Command	"CF_BBACK_%1"[CR]	
%1	"ON" ----- Select Blue Back "OFF" ----- Cancel Blue Back	
Details	Set / Cancel Blue Back (Available only in the normal Power ON status) The value set by this command is stored in EEPROM and its setting is effective even after ALL is OFF.	
Response	Acceptable	"000"[CR]
	Unacceptable	"Error Code"[CR]

8.11.2 CF_DISP Command

Command	"CF_DISP_%1"[CR]	
%1	"ON" ----- Select Display "OFF" ----- Cancel Display "CNTDWNOFF" ----- Count down OFF	
Details	Set / Cancel Display (Available only in the normal Power ON status) The value set by this command is stored in EEPROM and its setting is effective even after ALL is OFF.	
Response	Acceptable	"000"[CR]
	Unacceptable	"Error Code"[CR]

8.11.3 CF_LOGO Command

Command	"CF_LOGO_%1"[CR]	
%1	"OFF" ----- Disable Logo function "DEFAULT" ----- Display Default Logo "USER" ----- Display Captured Logo	
Details	Set / Cancel Logo (Available only in the normal Power ON status) The value set by this command is stored in EEPROM and its setting is effective even after ALL is OFF	
Response	Acceptable	"000"[CR]
	Unacceptable	"Error Code"[CR] "101" ----- When Logo is locked by Logo PIN code

8.11.4 CF_CEIL Command

Command	"CF_CEIL_%1"[CR]	
%1	"ON" ----- Set Ceiling to ON "OFF" ----- Set Ceiling to OFF	
Details	Switch Ceiling setting. (Available only in the normal Power ON status) The value set by this command is stored in EEPROM and its setting is effective even after ALL is OFF	
Response	Acceptable	"000"[CR]
	Unacceptable	"Error Code"[CR]

8.11.5 CF_REAR Command

Command	"CF_REAR_%1"[CR]	
%1	"ON" ----- Set Rear to ON "OFF" ----- Set Rear to OFF	
Details	Set/Cancel Rear mode. (Available only in the normal Power ON status) When Rear is ON, image is left/right reversed. The status set by this command is stored in EEPROM and its setting is effective after ALL is OFF	
Response	Acceptable	"000"[CR]
	Unacceptable	"Error Code"[CR]

8.11.6 CF_RCODE Command

Command	"CF_RCODE_%1"[CR]	
%1	"001" ----- Select Code1 "002" ----- Select Code2 "003" ----- Select Code3 "004" ----- Select Code4 "005" ----- Select Code5 "006" ----- Select Code6 "007" ----- Select Code7 "008" ----- Select Code8	
Details	Select Code of Remote Control (Available only in the normal Power ON status) The status set by this command is stored in EEPROM and its setting is effective after ALL is OFF	
Response	Acceptable	"000"[CR]
	Unacceptable	"Error Code"[CR]

8.11.7 CF_LANG Command

Command	"CF_LANG_%1"[CR]	
%1	"ENG" ----- Select English "DEU" ----- Select German "FRA" ----- Select French "ITA" ----- Select Italian "ESP" ----- Select Spanish "POR" ----- Select Portuguese "NED" ----- Select Dutch "SVE" ----- Select Swedish "RUS" ----- Select Russian "CHI" ----- Select Chinese "KOR" ----- Select Korean "JPN" ----- Select Japanese "FIN" ----- Select Finnish "POL" ----- Select Polish "HUN" ----- Select Hungarian "ROM" ----- Select Romanian	
Details	Set language for OSD (Available only in the normal Power ON status) The language set by this command is stored in EEPROM and its setting is effective after ALL is OFF.	
Response	Acceptable	"000"[CR]
	Unacceptable	"Error Code"[CR]

8.11.8 CF_INPUTSEARCH Command

Command	"CF_INPUTSEARCH_%1"[CR]	
%1	"OFF" ----- Set Input search operation to OFF "ON1" ----- Set Input search operation to On1 "ON2" ----- Set Input search operation to On2	
Details	Set Input search operation mode. (Available only in the normal Power ON status) The status set by this command is stored in EEPROM and its setting is effective after ALL is OFF	
Response	Acceptable	"000"[CR]
	Unacceptable	"Error Code"[CR]

8.11.9 CF_ON – STA Command

Command	"CF_ON - STA_%1"[CR]	
%1	"ON" ----- Set Power On Start to ON "OFF" ----- Set Power On Start to OFF	
Details	Set/Cancel Power ON Start (Available only in the normal Power ON status) The status set by this command is stored in EEPROM and its setting is effective after ALL is OFF	
Response	Acceptable	"000"[CR]
	Unacceptable	"Error Code"[CR]

8.11.10 CF_P – MANE Command

Command	"CF_P - MANE_%1"[CR]	
%1	"OFF" ----- Set Power Management to OFF "READY" ----- Set Power Management to Ready "SHUTDOWN" ----- Set Power Management to Shut Down mode	
Details	Set/Cancel Power Management (Available only in the normal Power ON status) The status set by this command is stored in EEPROM and its setting is effective after ALL is OFF	
Response	Acceptable	"000"[CR]
	Unacceptable	"Error Code"[CR]

8.11.11 CF_P – MANETIME Command

Command	"CF_P-MANETIME_%1"[CR]	
% 1	"01" ~ "30" ----- Directly select setting time by the minute "UP" ----- Plus one minute "DN" ----- Minus one minute	
Details	Set Power Management time (Available only in the normal Power ON status) The status set by this command is stored in EEPROM and its setting is effective after ALL is OFF	
Response	Acceptable	"000"[CR]
	Unacceptable	"Error Code"[CR]

8.11.12 CF_FANSPEED Command

Command	"CF_FANSPEED_%1"[CR]	
% 1	"MAX" ----- Select maximum fan speed "NOR" ----- Select normal fan speed	
Details	Switch Fan Control Speed (Available only in the normal Power ON status) The status set by this command is stored in EEPROM and its setting is effective after ALL is OFF.	
Response	Acceptable	"000"[CR]
	Unacceptable	"Error Code"[CR]

8.11.13 CF_KEYDIS Command

Command	"CF_KEYDIS_%1"[CR]	
%1	"NONE" ----- RC & Projector keys are valid (All are valid) "RC" ----- RC keys are invalid "KEY" ----- Projector keys are invalid	
Details	Set a ban on the use of RC/Projector keys (Available only in the normal Power ON status)	
Response	Acceptable	"000"[CR]
	Unacceptable	"Error Code"[CR]

8.11.14 CF_STANDBYMODE Command

Command	"CF_STANDBYMODE_%1"[CR]	
%1	"ECO" ----- Less standby electricity "NORMAL" ----- Normal standby electricity	
Details	Switch Standby Mode setting. (Available only in the normal Power ON status)	
Response	Acceptable	"000"[CR]
	Unacceptable	"Error Code"[CR]

8.11.15 CF_POINTER Command

Command	"CF_POINTER_%1_%2"[CR]	
%1	"SPOTLIGHT" ----- Select Spotlight "ARROW" ----- Select Arrow "FINGER" ----- Select Finger mark "LASER" ----- Select Laser mark	
%2	"MAX" ----- Max Spotlight "MID" ----- Middle Spotlight "MIN" ----- Minimum Spotlight	
Details	Select Pointer style (Available only in the normal Power ON status) Note1) %2 is available only when "SPOTLIGHT" is specified. Set "CF_POINTER_%1"[CR] when "ARROW"/"FINGER"/"LASER" is specified. Note2) When "SPOTLIGHT" is specified, %2 cannot be omitted.	
Response	Acceptable	"000"[CR]
	Unacceptable	"Error Code"[CR]

8.11.16 CF_FDEFAULT Command

Command	"CF_FDEFAULT_%1"[CR]	
%1	"RST"	
Details	Set the value to Factory Default (Available only in the normal Power ON status) The same operation as Factory Default of user menu.	
Response	Acceptable	"000"[CR]
	Unacceptable	"Error Code"[CR]

8.11.17 CF_AUTOSETUP Command

Command	"CF_AUTOSETUP_%1_%2"[CR]	
%	%1	%2
	"KEystone"	"AUTO" ----- Set Auto Keystone to Auto "MANUAL" ----- Set Auto Keystone to Manual "OFF" ----- Set Auto Keystone to OFF
	"PCADJ"	"ON" ----- Set Auto PC ADJ. function to ON "OFF" ----- Set Auto PC ADJ. function to OFF
	"START"	N/A
Details	Select Auto setup function (Available only in the normal Power ON status) Note1) Once Auto setup starts operating, CF command cannot be executed until Auto setup finishes. If the command is sent during this time, the projector returns error code "302" Note2) It is impossible to set both Keystone and PC ADJ. OFF. When one is set to OFF although the other is OFF, it returns error code "101"	
Response	Acceptable	"000"[CR]
	Unacceptable	"Error Code"[CR]

8.11.18 CF_LOGOCAPTURE Command

Command	"CF_LOGOCAPTURE_%1"[CR]	
%1	"START" ----- Capture ON	
Details	Capture projected image on screen. Once capturing image is started, the command cannot be executed until capturing finishes. When the command is sent during this time, the projector returns error code "301"	
Response	Acceptable	"000"[CR]
	Unacceptable	"Error Code"[CR] "101" ---- When Logo is locked by Logo PIN code

8.11.19 CF_FANMODE Command

Command	"CF_FANMODE_%1"[CR]	
%1	"L1" ----- Select Fan Mode L1 "L2" ----- Select Fan Mode L2	
Details	Switch Fan Mode (Available only in the normal Power ON status) When L1 is selected, fan noise after POWER OFF is louder. When L2 is selected, fan noise after POWER OFF is more silent, however, fan rotates for a longer time than L1. The status set by this command is stored in EEPROM and its setting is effective even after ALL is OFF.	
Response	Acceptable	"000"[CR]
	Unacceptable	"Error Code"[CR]

8.11.20 CF_FILH Command

Command	"CF_FILH_%1"[CR]	
%1	"RST"	
Details	Reset filter used time	
Response	Acceptable	"000"[CR]
	Unacceptable	"Error Code"[CR]

8.11.21 CF_FILTERTIMER Command

Command	"CF_FILTERTIMER_%1"[CR]	
%1	"100" ----- Set 100 hours "100" ----- Set 200 hours "100" ----- Set 300 hours "OFF" ----- No warning display	
Details	Set time when filter warning OSD is displayed	
Response	Acceptable	"000"[CR]
	Unacceptable	"Error Code"[CR]

9. Status Read Command

9.1 Format

- 1) PC issues commands in format as below:

"CR_ Command" [CR]

Command : Character Line

- 2) When projector receives the appropriate command, it returns a character line as the required data

"000_ "%1 [CR]

%1: Required Data (Character Line. See [Basic Status Read Command Table])

- 3) When the received data cannot be decoded, the projector returns **"?"[CR]**

9.2 Transfer Example

Get total dots of projector by Expand Commands

PC → PJ: "CR_TDOTS" [CR]

PC ← PJ: "000_1344" [CR]

9.3 Operation Condition

Basically Status Read Commands should be always operated.

9.4 Image Status Read Command

9.4.1 CR_BRIGHT Command

Command	"CR_BRIGHT"[CR]	
Details	Get Brightness value of user control	
Response	Acceptable	"000_% a"[CR]
	%a	"000"~"063"
	Unacceptable	"?"[CR]

9.4.2 CR_CONT Command

Command	"CR_CONT"[CR]	
Details	Get Contrast value of user control	
Response	Acceptable	"000_% a"[CR]
	%a	"000"~"063"
	Unacceptable	"?"[CR]

9.4.3 CR_COLOR Command

Command	"CR_COLOR"[CR]	
Details	Get Color value of user control	
Response	Acceptable	"000_%a"[CR]
	%a	"000"~"063"
	Unacceptable	"?"[CR]

9.4.4 CR_TINT Command

Command	"CR_TINT"[CR]	
Details	Get Tint value of user control	
Response	Acceptable	"000_%a"[CR]
	%a	"000"~"063"
	Unacceptable	"Error Code"[CR] ----- When the command is invalid due to condition such as Input source "?"[CR] ----- When unclear command is received

9.4.5 CR_SHARP Command

Command	"CR_SHARP"[CR]	
Details	Get Sharpness value of user control	
Response	Acceptable	"000_%a"[CR]
	%a	"000"~"015"
	Unacceptable	"?"[CR]

9.4.6 CR_GAMMA Command

Command	"CR_GAMMA"[CR]	
Details	Get Gamma value of user control	
Response	Acceptable	"000_%a"[CR]
	%a	"000"~"015"
	Unacceptable	"?"[CR]

9.4.7 CR_WBAL – R Command

Command	"CR_WBAL-R"[CR]	
Details	Get White Balance Red value of user control	
Response	Acceptable	"000_%a"[CR]
	%a	"000"~"063"
	Unacceptable	"?"[CR]

9.4.8 CR_WBAL – G Command

Command	"CR_WBAL-G"[CR]	
Details	Get White Balance Green value of user control	
Response	Acceptable	"000_%a"[CR]
	%a	"000"~"063"
	Unacceptable	"?"[CR]

9.4.9 CR_WBAL – B Command

Command	"CR_WBAL-B"[CR]	
Details	Get White Balance Blue value of user control	
Response	Acceptable	"000_%a"[CR]
	%a	"000"~"063"
	Unacceptable	"?"[CR]

9.4.10 CR_COLTEMP Command

Command	"CR_COLTEMP"[CR]	
Details	Get Color Temp. setting value	
Response	Acceptable	"000_%a"[CR]
	%a	"000" ----- Xlow
		"001" ----- Low
		"002" ----- Mid
"003" ----- High		
"ADJ" ----- Adjusting White Balance in process		
Unacceptable	"?"[CR]	

9.4.11 CR_NZRED Command

Command	"CR_NZRED"[CR]	
Details	Get setting status of Noise Reduction	
Response	Acceptable	"000_%1"[CR]
	%1	"L1" ----- Noise Reduction for moving image "L2" ----- Noise Reduction for still image "OFF" ----- Noise Reduction is disabled
	Unacceptable	"?"[CR]

9.4.12 CR_PROGV Command

Command	"CR_PROGV"[CR]	
Details	Get setting status of Progressive scan	
Response	Acceptable	"000_%a"[CR]
	%a	"L1" ----- Progressive Mode L1 is selected "L2" ----- Progressive Mode L2 is selected "FILM" ----- Progressive Model FILM is selected "OFF" ----- Progressive scan is disabled
	Unacceptable	"?"[CR]

9.4.13 CR_IMAGE Command

Command	"CR_IMAGE"[CR]	
Details	Get image setting status Required data "CUSTOM1" to "CUSTOM4" is the same as "Image1" to "Image4" displayed when selecting IMAGE on OSD menu	
Response	Acceptable	"000_%a"[CR]
	%a	"DYNAMIC" ----- Dynamic "STAND" ----- Standard "REAL" ----- Real "CINEMA" ----- Cinema "BLACKBOARD" ----- Blackboard "CUSTOM1"~"CUSTOM4" ----- Image1~4
	Unacceptable	"Error Code"[CR] --- When the command is invalid due to condition such as Input source "?"[CR] ----- When unclear command is received

9.4.14 CR_IMGGMD Command

Command	"CR_IMGGMD"[CR]	
Details	Get Image Gamma setting status	
Response	Acceptable	"000_%a"[CR]
	%a	"DYN" ----- Dynamic "STD" ----- Standard "REL" ----- Real "CNM" ----- Cinema "BKB" ----- Blackboard
	Unacceptable	"?"[CR]

9.5 PC Adjust Status Read Command

9.5.1 CR_FSYNC Command

Command	"CR_FSYNC"[CR]	
Details	Get Fine Sync value	
Response	Acceptable	"000_%a"[CR]
	%a	"0000"~"0031"
	Unacceptable	"Error Code"[CR] ----- When the command is invalid due to condition such as Input source "?"[CR] ----- When unclear command is received

9.5.2 CR_TDOTS Command

Command	"CR_TDOTS"[CR]	
Details	Get Total Dots value	
Response	Acceptable	"000_%a"[CR]
	%a	"nnnn"~"mmmm" (nnnn = Display Dots + Horizontal Position) (mmmm= Maximum value depends on input signal)
	Unacceptable	"Error Code"[CR] ----- When the command is invalid due to condition such as Input source "?"[CR] ----- When unclear command is received

9.5.3 CR_CLAMP Command

Command	"CR_CLAMP"[CR]	
Details	Get Clamp value	
Response	Acceptable	"000_%a"[CR]
	%a	"0001"~"nnnn" ("nnnn" depends on input signal)
	Unacceptable	"Error Code"[CR] ----- When the command is invalid due to condition such as Input source "?"[CR] ----- When unclear command is received

9.5.4 CR_H – POS Command

Command	"CR_H - POS"[CR]	
Details	Get Horizontal Position value	
Response	Acceptable	"000_%a"[CR]
	%a	"0000"~"nnnn" (nnnn = Total Dots - Display Dots)
	Unacceptable	"Error Code"[CR] ----- When the command is invalid due to condition such as Input source "?"[CR] ----- When unclear command is received

9.5.5 CR_V – POS Command

Command	"CR_V - POS"[CR]	
Details	Get Vertical Position value	
Response	Acceptable	"000_%a"[CR]
	%a	"0000"~"nnnn" (nnnn = Total Line - Display Line)
	Unacceptable	"Error Code"[CR] ----- When the command is invalid due to condition such as Input source "?"[CR] ----- When unclear command is received

9.5.6 CR_DDOTS Command

Command	"CR_DDOTS"[CR]	
Details	Get Display Dots value	
Response	Acceptable	"000_%a"[CR]
	%a	"0100"~"nnnn" (nnnn = Total Dots – Horizontal Position value)
	Unacceptable	"Error Code"[CR] ----- When the command is invalid due to condition such as Input source "?"[CR] ----- When unclear command is received

9.5.7 CR_DLINE Command

Command	"CR_DLINE"[CR]	
Details	Get Display Line value	
Response	Acceptable	"000_%a"[CR]
	%a	"0100"~"nnnn" (nnnn = Total Line – Vertical Position value)
	Unacceptable	"Error Code"[CR] ----- When the command is invalid due to condition such as Input source "?"[CR] ----- When unclear command is received

9.5.8 CR_PCSTORE Command

Command	"CR_PCSTORE"[CR]	
Details	Get Free/Stored status of MODE1 - MODE5 for PC Adjust Each data consists of 5 bytes. Each byte indicates the status of MODE1~MODE5 respectively. (F:Free S:Stored)	
Response	Acceptable	"000_%a"[CR]
	%a	"FFFF" ----- All Free "SFFF" ----- MODE1 is Stored, others are Free : "FFF S" ----- MODE5 is Stored, others are Free "SSSS" ----- All Stored
	Unacceptable	"?"[CR]

9.5.9 CR_SETPCADJ Command

Command	"CR_SETPCADJ"[CR]	
Details	Get PC signal for current system	
Response	Acceptable	"000_%1"[CR]
	%1	"XGA1" "1080i60", "720P" "MODE1"~"MODE5" ...Etc.
	Unacceptable	"?"[CR]

9.6 Video Status Read Command

9.6.1 CR_SERSYS Command

Command	"CR_SERSYS"[CR]	
Details	Get currently selected signal Returns auto-detected signal in Auto mode Only available when Input for Video is selected. (N/A when Input is computer)	
Response	Acceptable	"000_%a"[CR]
	%a	"1080i60" ----- 1080i 60Hz "1080i50" ----- 1080i 50Hz "1035i" ----- 1035i "720P" ----- 720p "575P" ----- 575p "480P" ----- 480p "575i" ----- 575i (includes Composite signal such as PAL) "480i" ----- 480i (includes Composite signal such as NTSC) "NO_SIGNAL" ----- There is no signal
	Unacceptable	"101"[CR] ----- When Input for PC is selected "?"[CR]

9.7 Input Status Read Command

9.7.1 CR_INPUT Command

Command	"CR_INPUT"[CR]	
Details	Get selected INPUT No.	
Response	Acceptable	"000_%a"[CR]
	%a	"COMPUTER1" ----- Computer 1 Input is selected "COMPUTER2" ----- Computer 2 Input is selected "VIDEO" ----- Video Input is selected "NETWORK" ----- Wired Input is selected "WI" ----- Wireless Input is selected "MCI" ----- Memory Viewer is selected
	Unacceptable	"?"[CR]

9.7.2 CR_SOURCE Command

Command	"CR_SOURCE"[CR]	
Details	Get selected Source	
Response	Acceptable	"000_%1"[CR]
	%1	"ANALOG" ----- Analog (RGB) Input is selected "DIGITAL" ----- DVI Input is selected "SCART" ----- SCART is selected "HDCP" ----- HDCP is selected "AUTO" ----- Video Auto is selected "VIDEO" ----- Video Input is selected "S-VIDEO" ----- S-Video Input is selected "YPBPR" ----- Component Input is selected "NETWORK" ----- Network is selected "WI" ----- Wireless Imager is selected "MCI" ----- MCI Input is selected
	Unacceptable	"Error Code"[CR] ----- When the command is invalid due to condition such as Input source "?"[CR] ----- When unclear command is received

9.7.3 CR_INPUT_%1 Command

Command	"CR_INPUT_%1"[CR]	
%1	"CMP1-A" ----- Select Computer 1 (Analog) Input "CMP1-D" ----- Select Computer 1 (Digital) Input "COMPUTER2" ----- Select Computer 2 Input "VIDEO" ----- Select Video Input	
Details	Get selected source of currently selected Input	
Response	Acceptable	"000_%a"[CR]
	%a	When %1 is CMP1-A "ANALOG" ----- Analog RGB is selected When %1 is CMP1-D "DIGITAL" ----- DVI is selected "HDCP" ----- HDCP is selected When %1 is COMPUTER2 "ANALOG" ----- Analog RGB is selected "YPBPR" ----- Component Input is selected "SCART" ----- Scart Input is selected When %1 is VIDEO "AUTO" ----- Video Auto is selected "VIDEO" ----- Composite Video Input is selected "S-VIDEO" ----- S-Video Input is selected
	Unacceptable	"?"[CR]

9.7.4 CR_SYSTEM Command

Command	"CR_SYSTEM"[CR]		
Details	Get selected System		
Response	Acceptable	"000_%1"[CR]	
	%1	Input is PC	Returns "101"
		Input is Video	"AUTO" ----- Auto is selected "NTSC" ----- NTSC is selected "NTSC443" ----- NTSC4.43 is selected "PAL" ----- PAL is selected "SECAM" ----- SECAM is selected "PAL-M" ----- PAL-M is selected "PAL-N" ----- PAL-N is selected "1080I" ----- 1080i is selected "1035I" ----- 1035i is selected "720P" ----- 720p is selected "575P" ----- 575p is selected "480P" ----- 480p is selected "575I" ----- 575i is selected "480I" ----- 480i is selected
	Unacceptable	"101"[CR] ----- When Input for PC is selected "?"[CR] ----- When unclear command is received	

9.8 Screen Status Read Command

9.8.1 CR_SCREEN Command

Command	"CR_SCREEN"[CR]	
Details	Get selected on-screen image size	
Response	Acceptable	"000_%a"[CR]
	%a	Input is PC "NORMAL" ----- 4:3 screen, signal that cannot be adjusted to 16:9 "WIDE" ----- 16:9 screen (signal except 16:9) "TRUE" ----- True size screen mode "FULL" ----- Full screen mode "CUSTOM" ----- Custom size When the screen is set to D.Zoom, returns the previous status (NORMAL/WIDE)
		Input is Video "NORMAL" ----- 4:3 screen, signal that cannot be adjusted to 16:9 "WIDE" ----- 16:9 screen (signal except 16:9) "CUSTOM" ----- Custom size
	Unacceptable	"Error Code"[CR] ----- When the command is invalid due to condition such as Input source "?"[CR] ----- Command

9.8.2 CR_FLSCREEN Command

Command	"CR_FLSCREEN"[CR]	
Details	Get if on-screen image size is set to Full Screen	
Response	Acceptable	"000_%1"[CR]
	%a	"ON" ----- Screen size is set to Full Screen "OFF" ----- Screen size is not set to Full Screen
	Unacceptable	"Error Code"[CR] ----- When the command is invalid due to condition such as Input source "?"[CR] ----- Command

9.8.3 CR_TRUE Command

Command	"CR_TRUE"[CR]	
Details	Get if on-screen image size is set to True	
Response	Acceptable	"000_%1"[CR]
	%a	"ON" ----- Screen size is set to True "OFF" ----- Screen size is not set to True
	Unacceptable	"Error Code"[CR] ----- When the command is invalid due to condition such as Input source "?"[CR] ----- Command

9.8.4 CR_KYSTNMODE Command

Command	"CR_KYSTNMODE"[CR]	
Details	Get setting status of Keystone Store Mode	
Response	Acceptable	"000_%a"[CR]
	%a	"STR" ----- Store mode is "Store" "RST" ----- Store mode is "Reset"
	Unacceptable	"?"[CR] ----- Command

9.8.5 CR_VSCALE Command

Command	"CR_VSCALE"[CR]	
Details	Get setting status of Vertical Scale Store Mode	
Response	Acceptable	"000_%a"[CR]
	%a	"-32" ~ "032"
	Unacceptable	"?"[CR] ----- Command

9.8.6 CR_VPOS Command

Command	"CR_VPOS"[CR]	
Details	Get setting status of Vertical Position Store Mode	
Response	Acceptable	"000_%a"[CR]
	%a	"-15" ~ "015"
	Unacceptable	"?"[CR] ----- Command

9.8.7 CR_HSCALE Command

Command	"CR_HSCALE"[CR]	
Details	Get setting status of Horizontal Scale Store Mode	
Response	Acceptable	"000_%a"[CR]
	%a	"-32" ~ "032"
	Unacceptable	"?"[CR] ----- Command

9.8.8 CR_HPOS Command

Command	"CR_HPOS"[CR]	
Details	Get setting status of Horizontal Position Store Mode	
Response	Acceptable	"000_%a"[CR]
	%a	"-15" ~ "015"
	Unacceptable	"?"[CR] ----- Command

9.9 Lamp Status Read Command

9.9.1 CR_LAMPREPL Command

Command	"CR_LAMPREPL"[CR]	
Details	Get the information of Lamp Replacement time	
Response	Acceptable	"000_%1"[CR]
	%1	"1Y" ----- over lamp replacement time "1N" ----- inside lamp replacement time "1" means the number of lamps. (1 lamp is used→ "1") "Y"/"N" means if it is time to replace lamp or not. Example: "1Y" ----- 1 lamp is used and it is over lamp replacement time
	Unacceptable	"?"[CR]

9.9.2 CR_LAMPMODE Command

Command	"CR_LAMPMODE"[CR]	
Details	Get setting status of Lamp Mode	
Response	Acceptable	"000_%1"[CR]
	%1	"HIGH" ----- Lamp Mode is High "NORMAL" ----- Lamp Mode is Normal "ECO" ----- Lamp Mode is Eco "AUTO" ----- Lamp Mode is Auto
	Unacceptable	"?"[CR]

9.9.3 CR_PROJH Command

Command	"CR_PROJH"[CR]	
Details	Get total running time of Projector by hour (h)	
Response	Acceptable	"000_%1"[CR]
	%1	"0000000"~"9999999"
	Unacceptable	"?"[CR]

9.9.4 CR_LAMPH Command

Command	"CR_LAMPH"[CR]	
Details	Get total running time of lamp by hour (h) *Actual running time, not corresponding value	
Response	Acceptable	"000_%1"[CR]
	%1	"00000"~"99999"
	Unacceptable	"?"[CR]

9.10 Sound Status Read Command

9.10.1 CR_VOLUME Command

Command	"CR_VOLUME"[CR]	
Details	Get Volume value of user control	
Response	Acceptable	"000_%a"[CR]
	%a	"000"~"063"
	Unacceptable	"?"[CR]

9.10.2 CR_MUTE Command

Command	"CR_MUTE"[CR]	
Details	Get sound mute setting status	
Response	Acceptable	"000_%a"[CR]
	%a	"ON" ----- Sound Mute is ON "OFF" ----- Sound Mute is OFF
	Unacceptable	"?"[CR]

9.11 Setting Status Read Command

9.11.1 CR_BBACK Command

Command	"CR_BBACK"(CR)	
Details	Get setting status of Blue Back	
Response	Acceptable	"000_%a"[CR]
	%a	"ON" ----- Blue Back is ON "OFF" ----- Blue Back is OFF
	Unacceptable	"?"[CR]

9.11.2 CR_DISP Command

Command	"CR_DISP"[CR]	
Details	Get setting status of Display	
Response	Acceptable	"000_%a"[CR]
	%a	"ON" ----- Display is ON "OFF" ----- Display is OFF "CNTDWN-OFF" ----- Countdown OFF
	Unacceptable	"?"[CR]

9.11.3 CR_LOGO Command

Command	"CR_LOGO"[CR]	
Details	Get setting status of Logo	
Response	Acceptable	"000_%1"[CR]
	%1	"OFF" ----- Logo function is OFF "DEFAULT" ----- Default Logo is selected "USER" ----- User Logo is selected
	Unacceptable	"?"[CR]

9.11.4 CR_RCODE Command

Command	"CR_RCODE"[CR]	
Details	Get selected Remote Control Code	
Response	Acceptable	"000_%a"[CR]
	%a	"001" ----- Code1 is selected "002" ----- Code2 is selected "003" ----- Code3 is selected "004" ----- Code4 is selected "005" ----- Code5 is selected "006" ----- Code6 is selected "007" ----- Code7 is selected "008" ----- Code8 is selected
	Unacceptable	"?"[CR]

9.11.5 CR_LANG Command

Command	"CR_LANG"[CR]	
Details	Get selected language	
Response	Acceptable	"000_%a"[CR]
	%a	"ENG" ----- English is selected "DEU" ----- German is selected "FRA" ----- French is selected "ITA" ----- Italian is selected "ESP" ----- Spanish is selected "POR" ----- Portuguese is selected "NED" ----- Dutch is selected "SVE" ----- Swedish is selected "JPN" ----- Japanese is selected "CHI" ----- Chinese is selected "KOR" ----- Korean is selected "RUS" ----- Russian is selected "FIN" ----- Finnish is selected "POL" ----- Polish is selected "HUN" ----- Hungarian is selected "ROM" ----- Romanian is selected
	Unacceptable	"?"[CR]

9.11.6 CR_INPUTSEARCH Command

Command	"CR_INPUTSEARCH"[CR]	
Details	Get setting status of Input search	
Response	Acceptable	"000_%a"[CR]
	%a	"OFF" ----- Input search is OFF "ON1" ----- Input search is On1 "ON2" ----- Input search is On2
	Unacceptable	"?"[CR]

9.11.7 CR_ON-STA Command

Command	"CR_ON-STA"[CR]	
Details	Get Power ON Start setting status	
Response	Acceptable	"000_%a"[CR]
	%a	"ON" ----- Power ON Start is ON "OFF" ----- Power ON Start is OFF
	Unacceptable	"?"[CR]

9.11.8 CR_P – MANE Command

Command	"CR_P-MANE"[CR]	
Details	Get Power management setting status	
Response	Acceptable	"000_%a"[CR]
	%a	"OFF" ----- Power Management is OFF "READY" ----- Power Management is Ready "SHUTDOWN" ----- Power Management is set to Shut Down mode
	Unacceptable	"?"[CR]

9.11.9 CR_P – MANETIME Command

Command	"CR_P-MANETIME"[CR]	
Details	Get time to start Power Management	
Response	Acceptable	"000_%a"[CR]
	%a	"001"~"030" ----- 1 minute to 30 minutes
	Unacceptable	"?"[CR]

9.11.10 CR_FANSPEED Command

Command	"CR_FANSPEED"[CR]	
Details	Get selected Fan Control Speed	
Response	Acceptable	"000_%a"[CR]
	%a	"MAX" ----- Fan Control Speed is Max "NOR" ----- Fan Control Speed is Normal
	Unacceptable	"?"[CR]

9.11.11 CR_KEYDIS Command

Command	"CR_KEYDIS"(CR)	
Details	Get prohibit status of RC/Projector keys (valid or invalid)	
Response	Acceptable	"000_%a"[CR]
	%a	"NONE" ----- RC & Projector keys are valid "RC" ----- RC keys are invalid "KEY" ----- Projector keys are invalid
	Unacceptable	"?"[CR]

9.11.12 CR_STANDBYMODE Command

Command	"CR_STANDBYMODE"[CR]	
Details	Get Standby Mode setting status	
Response	Acceptable	"000_%a"[CR]
	%a	"ECO" ----- Eco Mode "NORMAL" ----- Normal Mode
	Unacceptable	"?"[CR]

9.11.13 CR_POINTER Command

Command	"CR_POINTER"[CR]	
Details	Get Pointer setting status	
Response	Acceptable	"000_%a_%b"[CR]
	%a	"SPOTLIGHT" ----- Spotlight Mode "ARROW" ----- Arrow Mode "FINGER" ----- Finger Mark Mode "LASER" ----- Laser Mark Mode
	%b	When %a is "SPOTLIGHT" "MAX" ----- Maximum "MID" ----- Middle "MIN" ----- Minimum When %a is "ARROW"/"FINGER"/"LASER" N/A
	Unacceptable	"?"[CR]

9.11.14 CR_AUTOSETUP Command

Command	"CR_AUTOSETUP_%1"[CR]	
%1	"KEystone" ----- Auto Keystone "PCADJ" ----- Auto PC ADJ.	
Details	Get Auto setup setting status	
Response	Acceptable	"000_%a"[CR]
	%a	When Keystone is selected "AUTO" ----- Auto Keystone is Auto "MANUAL" ----- Auto Keystone is Manual "OFF" ----- Auto Keystone is OFF When Auto PC ADJ. is selected "ON" ----- Auto PC ADJ. is ON "OFF" ----- Auto PC ADJ. is OFF
	Unacceptable	"?"[CR]

9.11.15 CR_FANMODE Command

Command	"CR_FANMODE"[CR]	
Details	Get selected Fan mode	
Response	Acceptable	"000_%a"[CR]
	%a	"L1" ----- Fan mode is L1 "L2" ----- Fan mode is L2
	Unacceptable	"?"[CR]

9.11.16 CR_FILH Command

Command	"CR_FILH"[CR]	
Details	Get Filter used time	
Response	Acceptable	"000_%a"[CR]
	%a	"00000"~"99999" ----- 0 hour to 99999 hours
	Unacceptable	"Error Code"[CR]

9.11.17 CR_FILREPL Command

Command	"CR_FILREPL"[CR]	
Details	Get the information of Filter replacement time	
Response	Acceptable	"000_%a"[CR]
	%a	"1Y" ----- over filter replacement time "1N" ----- inside filter replacement time
	Unacceptable	"Error Code"[CR]

9.11.18 CR_FILTIMER Command

Command	"CR_FILTIMER"[CR]	
Details	Get time when filter warning OSD is displayed	
Response	Acceptable	"000_%a"[CR]
	%a	"100" ----- 100 hours "200" ----- 200 hours "300" ----- 300 hours "OFF" ----- No OSD display
	Unacceptable	"Error Code"[CR]

9.12 Other Status Read Command**9.12.1 CR_SIGNAL Command**

Command	"CR_SIGNAL"(CR)	
Details	Get Signal status if there is signal or not	
Response	Acceptable	"000_%a"[CR]
	%a	"ON" ----- There is signal "OFF" ----- There is no signal
	Unacceptable	"?"[CR]

9.12.2 CR_VMUTE Command

Command	"CR_VMUTE"[CR]	
Details	Get setting status of No Show	
Response	Acceptable	"000_%a"[CR]
	%a	"ON" ----- No Show is ON, User Logo (My picture) is displayed "OFF" ----- No Show is OFF
	Unacceptable	"?"[CR]

9.12.3 CR_FREEZE Command

Command	"CR_FREEZE"[CR]	
Details	Get setting status of Freeze	
Response	Acceptable	"000_%a"[CR]
	%a	"ON" ----- Freeze is ON "OFF" ----- Freeze is OFF
	Unacceptable	"?"[CR]

9.12.4 CR_PTIMER Command

Command	"CR_PTIMER"[CR]	
Details	Get the operating status of Presentation Timer	
Response	Acceptable	"000_%a"[CR]
	%a	"ON" ----- Presentation timer is in operation "STOP" ----- Presentation timer is paused "OFF" ----- Presentation timer is not operated
	Unacceptable	"?"[CR]

9.12.5 CR_TEMPWARN Command

Command	"CR_TEMPWARN"[CR]	
Details	Get the temperature inside a projector if it is abnormal temperature or close to abnormal temperature It is possible to get the status all at once with some sensors installed.	
Response	Acceptable	"000_%a_%b_%c"[CR]
	%a %b %c	%a ----- Sensor 1 status %b ----- Sensor 2 status %c ----- Sensor 3 status "W" ---- Approach or reach abnormal temperature (dangerous temperature) "S" ---- Far from abnormal temperature (safe temperature) "N" ---- Sensor detects no abnormal temperature [Example] "S_W_S"[CR] means Sensor 1 detects safe temperature, Sensor 2 detects abnormal temperature and Sensor 3 detects safe temperature Note) When the temperature difference between Sensor 1 and 3 reaches specific value, it is considered as temperature abnormality by the projector model. In this case, the 3rd data means if the temperature difference between Sensor 1 and 3 is dangerous state or not. The 3rd data means temperature abnormality due to Sensor 3 When abnormal temperature is not detected by sensor, "N" (No connection with temperature abnormality) is returned.
	Unacceptable	"?"[CR]

9.12.6 CR_TEMPFAIL Command

Command	"CR_TEMPFAIL"[CR]	
Details	Get the temperature inside a projector when abnormal temperature occurs. It is possible to get the temperatures all at once with some sensors installed.	
Response	Acceptable	"000_ %a_ %b_ %c"[CR]
	%a %b %c	<p>%a ----- Sensor 1 temp. (External temp.) %b ----- Sensor 2 temp. (Internal temp.1) %c ----- Sensor 3 temp. (Internal temp.2)</p> <p>[Example] "_31.5F"[CR] "_" indicates a space. When the temperature sinks to -, the first character is "-" like "-05.5F"[CR] The last character means the sensor's status if it reaches abnormal temperature</p> <p>Exceeding critical temp. ----- "F" Temp. is safe ----- "S" Sensor detects no critical temp.----- "N"</p> <p>The example shows that sensor 1 indicates 31.5 degrees and the temperature is abnormal. When the temperature is safe, all data are represented as "□000S". When the projector is reset, "□000S" is set, and every time abnormal temperature occurs, it renews the data and returns it. In short, it only returns the renewed data of the latest abnormal temperature and the previous data is deleted.</p>
	Unacceptable	"?"[CR]