

EXPAND SERIAL COMMAND
FUNCTIONAL SPECIFICATIONS

EIKI

LC-HDT700

Ver.1.00

SANYO Electric Co., Ltd
DS Company
Projector Division

Contents

1	Overview	10
2	Serial Interface Specification	10
2.1	Transfer Specification	10
2.2	Connection	10
3	Notes for communication	11
4	Notation Convention	11
5	Functional Execution Command Table	12
5.1	Image Command Table	12
5.2	PC Adjust Control Command Table	12
5.3	Input Control Command Table	12
5.4	Screen Control Command Table	13
5.5	Lamp Command Table	13
5.6	Setting Command Table	13
5.7	Other Command Table	14
6	Status Read Command Table	15
6.1	Image Status Read Command Table	15
6.2	PC Adjust Status Read Command Table	15
6.3	Video Status Read Command Table	15
6.4	Input Status Read Command Table	15
6.5	Screen Status Read Command Table	16
6.6	Lamp Status Read Command Table	16
6.7	Setting Status Read Command Table	16
6.8	Other Status Read Command Table	17
7	Error Code Table	18
8	Functional Execution Command	19
8.1	Format	19
8.2	Transfer Example	19
8.3	Operation Requirements	19
1.	Functional Execution Command is limited when the projector status is as below.	19
8.4	Image Command	20
8.4.1	CF_BRIGHT Command	20
8.4.2	CF_CONT Command	20
8.4.3	CF_COLOR Command	20
8.4.4	CF_TINT Command	20
8.4.5	CF_COLMNSAV Command	21
8.4.6	CF_COLMNLD Command	21
8.4.7	CF_SHARP Command	21
8.4.8	CF_GAMMA Command	21
8.4.9	CF_WBAL- Command	22

8.4.10	CF_COLTEMP Command	22
8.4.11	CF_OFFSET- Command	22
8.4.12	CF_NZRED Command	22
8.4.13	CF_PROGV Command.....	23
8.4.14	CF_IMAGE Command.....	23
8.4.15	CF_IMAGEADJ Command	24
8.4.16	CF_APCTRL Command.....	24
8.4.17	ADVCOL Command	24
8.5	PC Adjust Control Command	25
8.5.1	CF_FSYNC Command	25
8.5.2	CF_TDOTS Command	25
8.5.3	CF_CLPPHASE Command.....	25
8.5.4	CF_H-POS Command	26
8.5.5	CF_V-POS Command.....	26
8.5.6	CF_DDOTS Command	26
8.5.7	CF_DLINE Command.....	27
8.5.8	CF_SETPCADJ Command	27
8.5.9	CF_ORGMODE Command	28
8.5.10	CF_PCSTORE Command	28
8.5.11	CF_PCMODEFREE Command	29
8.6	Input Control Command.....	30
8.6.1	CF_INPUT Command.....	30
8.6.2	CF_SOURCE Command	30
8.6.3	CF_INPUT 1 Command.....	31
8.6.4	CF_INPUT 2 Command.....	31
8.6.5	CF_INPUT 3 Command.....	31
8.6.6	CF_INPUT 4 Command.....	31
8.6.7	CF_SYSTEM Command.....	32
8.7	Screen Control Command	33
8.7.1	CF_SCREEN Command.....	33
8.7.2	CF_DZCENT Command.....	33
8.7.3	CF_VSCALE Command.....	34
8.7.4	CF_VPOS Command.....	34
8.7.5	CF_HSCALE Command.....	35
8.7.6	CF_HPOS Command	35
8.7.7	CF_KEYSTONE Command.....	36
8.7.8	CF_KYSTONMODE Command.....	36
8.7.9	CF_CORNER-UL Command	36
8.7.10	CF_CORNER-UR Command	37
8.7.11	CF_CORNER-DL Command.....	37

8.7.12	CF_CORNER-DR Command	37
8.7.13	CF_CORNERTESTPAT Command	38
8.7.14	CF_CEIL Command	38
8.7.15	CF_REAR Command	38
8.7.16	CF_SCREENASPECT Command.....	38
8.8	Lamp Command	39
8.8.1	CF_LAMPH Command.....	39
8.8.2	CF_LAMPMODE Command	39
8.9	Setting Command	40
8.9.1	CF_LANG Command	40
8.9.2	CF_MENUPOSITION Command.....	40
8.9.3	CF_MENUSIZE Command	40
8.9.4	CF_INPUTBUTTON Command.....	41
8.9.5	CF_DISP Command	41
8.9.6	CF_BACKGND Command	41
8.9.7	CF_LOGO Command	42
8.9.8	CF_PIP Command.....	42
8.9.9	CF_PIPMODE Command.....	42
8.9.10	CF_PIPMAININP Command.....	43
8.9.11	CF_PIPSUBINPU Command	43
8.9.12	CF_PIPSIZE Command	43
8.9.13	CF_PIPPOSITION Command	44
8.9.14	CF_PIPFRAMELOCK Command.....	44
8.9.15	CF_PIPSTORE Command	44
8.9.16	CF_PIPMODEFREE Command	45
8.9.17	CF_PIPRST Command.....	45
8.9.18	EDGEBLENDING Command	45
8.9.19	BLEND Command	45
8.9.20	CF_BLENDSTART Command	46
8.9.21	CF_BLENDBLK Command.....	46
8.9.22	CF_BLENDBLKALL Command.....	46
8.9.23	BLENDTESTPAT Command	46
8.9.24	CF_BLENDRST Command	47
8.9.25	CF_BLENDMENUOFF Command	47
8.9.26	CF_BLENDMENU Command	47
8.9.27	CF_COLORMATCHING Command	47
8.9.28	CMMSXY Command.....	47
8.9.29	CF_CMMSL Command	48
8.9.30	CF_CMTGXY Command	48
8.9.31	CF_CMTGG Command	48

8.9.32	CF_CMAUTOTESTPAT Command.....	48
8.9.33	CF_CMRST Command.....	49
8.9.34	CF_CMSTORE Command.....	49
8.9.35	CMMSTESTPAT Command	49
8.9.36	CF_CMTGTESTPAT Command.....	49
8.9.37	CF_CMFDEFAULT Command	50
8.9.38	CF_CMMENUOFF Command	50
8.9.39	CF_CMMENU Command	50
8.9.40	CF_HDMI SETUP Command	50
8.9.41	CF_FILH Command.....	50
8.9.42	CF_FILTIMER Command	50
8.9.43	CF_FILCTL Command	51
8.9.44	CF_FILSCRL Command	51
8.9.45	CF_FANSPEED Command	51
8.9.46	CF_SIMPLEMODE Command	51
8.9.47	CF_RCODE Command.....	51
8.9.48	CF_RSENS Command	52
8.9.49	CF_P-MANE Command	52
8.9.50	CF_P-MANETIME Command.....	52
8.9.51	CF_ON-STA Command	53
8.9.52	CF_POINTER Command.....	53
8.9.53	CF_PTIMEMODE Command.....	53
8.9.54	CF_PTIMER Command	53
8.9.55	CF_PTIME Command.....	53
8.9.56	CF_KEYDIS Command	54
8.9.57	CF_PJPINCODE Command.....	54
8.9.58	CF_SHUTPROT Command.....	54
8.9.59	CF_SHUTRELEASE Command.....	55
8.9.60	CF_SHUTH Command	55
8.9.61	CF_CCAPTIONDISP Command	55
8.9.62	CF_CCAPTIONCOLOR Command.....	55
8.9.63	CF_DELAYCTRL Command	56
8.9.64	CF_TESTPAT Command.....	56
8.9.65	CF_FDEFAULT Command	56
8.10	Other Commands	57
8.10.1	CF_KEYEMU Command	57
8.10.2	CF_MENU Command	57
8.10.3	CF_POWER Command	58
8.10.4	CF_FREEZE Command	58
8.10.5	CF_VMUTE Command	58

9	Status Read Command	59
9.1	Format	59
9.2	Transfer Example	59
9.3	Operation Condition	59
9.4	Image Status Read Command	60
9.4.1	CR_BRIGHT Command	60
9.4.2	CR_CONT Command	60
9.4.3	CR_COLOR Command	60
9.4.4	CR_TINT Command	60
9.4.5	CR_APCTRL Command.....	60
9.4.6	CR_SHARP Command.....	61
9.4.7	CR_GAMMA Command	61
9.4.8	CR_WBAL-R Command.....	61
9.4.9	CR_WBAL-G Command	61
9.4.10	CR_WBAL-B Command.....	61
9.4.11	CR_COLTEMP Command.....	62
9.4.12	CR_OFFSET-R Command	62
9.4.13	CR_OFFSET-G Command	62
9.4.14	CR_OFFSET-B Command	62
9.4.15	CR_NZRED Command.....	62
9.4.16	CR_PROGV Command	63
9.4.17	CR_IMAGE Command	63
9.4.18	CR_IMGGMD Command.....	63
9.4.19	CR_ADVCOL Command	63
9.5	PC Adjust Status Read Command	64
9.5.1	CR_FSYNC Command	64
9.5.2	CR_TDOTS Command	64
9.5.3	CR_CLPPHASE Command	64
9.5.4	CR_H-POS Command.....	64
9.5.5	CR_V-POS Command	64
9.5.6	CR_DDOTS Command.....	65
9.5.7	CR_DLINE Command	65
9.5.8	CR_ORGMODE Command	66
9.5.9	CR_PCSTORE Command.....	66
9.5.10	CR_SETPCADJ Command.....	67
9.6	Video Status Read Command	68
9.6.1	CR_SERSYS Command.....	68
9.7	Input Read Command	69
9.7.1	CR_INPUT Command	69
9.7.2	CR_SOURCE Command.....	69

9.7.3	CR_SRCINP1 Command.....	69
9.7.4	CR_SRCINP2 Command.....	69
9.7.5	CR_SRCINP3 Command.....	70
9.7.6	CR_SRCINP4 Command.....	70
9.7.7	CR_SYSTEM Command	71
9.7.8	CR_SYSLIST Command	72
9.7.9	CR_MODELIST Command	72
9.7.10	CR_HMSLOT Command.....	73
9.7.11	CR_NMSLOT1 Command.....	73
9.7.12	CR_NMSLOT2 Command.....	73
9.7.13	CR_NMSLOT3 Command.....	73
9.7.14	CR_NMSLOT4 Command.....	73
9.7.15	CR_IDSLOT1 Command.....	74
9.7.16	CR_IDSLOT2 Command.....	74
9.7.17	CR_IDSLOT3 Command.....	74
9.7.18	CR_IDSLOT4 Command.....	74
9.8	Screen Status Read Command.....	75
9.8.1	CR_SCREEN Command	75
9.8.2	CR_VSCALE Command.....	75
9.8.3	CR_VPOS Command	75
9.8.4	CR_HSCALE Command	75
9.8.5	CR_HPOS Command	75
9.8.6	CR_KYSTNMODE Command.....	76
9.8.7	CR_CORNERTESTPAT Command	76
9.8.8	CR_CEIL Command	76
9.8.9	CR_REAR Command	76
9.8.10	CR_SCREENASPECT Command	76
9.9	Lamp Status Read Command	77
9.9.1	CR_LAMPREPL Command	77
9.9.2	CR_LAMPH Command	77
9.9.3	CR_LAMPCORRESPH Command	77
9.9.4	CR_LAMPMODE Command	77
9.9.5	CR_LAMPSTS Command.....	77
9.9.6	CR_PROJH Command.....	78
9.9.7	CR_HMLAMP Command	78
9.10	Setting Status Read Command	79
9.10.1	CR_LANG Command.....	79
9.10.2	CR_MENUSIZE Command	79
9.10.3	CR_INPUTBUTTON Command	79
9.10.4	CR_DISP Command.....	79

9.10.5	CR_BACKGND Command.....	80
9.10.6	CR_LOGO Command.....	80
9.10.7	CR_LOGOLOCK Command	80
9.10.8	CR_PIP Command.....	80
9.10.9	CR_PIPADJ Command	80
9.10.10	CR_PIPMODE Command.....	81
9.10.11	CR_PIPMAININP Command	81
9.10.12	CR_PIPSUBINPU Command	81
9.10.13	CR_PIPSIZE Command	81
9.10.14	CR_PIPFRAMELOCK Command	82
9.10.15	CR_PIPSTORE Command	82
9.10.16	CR_EDGEBLENDING Command	82
9.10.17	CR_BLEND Command.....	82
9.10.18	CR_BLENDSTART Command	83
9.10.19	CR_BLENDBLK Command	83
9.10.20	CR_BLENDTESTPAT Command.....	83
9.10.21	CR_COLORMATCHING Command	84
9.10.22	CR_CMMSXY_%1 Command	84
9.10.23	CR_CMMSL_%1 Command.....	84
9.10.24	CR_CMTGXY_%1 Command	84
9.10.25	CR_CMTGG_%1 Command	85
9.10.26	CR_CMAUTOTESTPAT Command	85
9.10.27	CR_CMMSTESTPAT Command	85
9.10.28	CR_CMTGTESTPAT Command.....	85
9.10.29	CR_HDMI SETUP Command	86
9.10.30	CR_FILREMAIN Command	86
9.10.31	CR_FILH Command	86
9.10.32	CR_FILTIMER Command.....	86
9.10.33	CR_FILCOND Command	86
9.10.34	CR_FILREPL Command	86
9.10.35	CR_FANSPEED Command.....	87
9.10.36	CR_SIMPLEMODE Command	87
9.10.37	CR_RCODE Command	87
9.10.38	CR_RSENS Command.....	87
9.10.39	CR_RTYPE Command	87
9.10.40	CR_P-MANE Command.....	88
9.10.41	CR_P-MANETIME Command	88
9.10.42	CR_ON-STA Command.....	88
9.10.43	CR_POINTER Command	88
9.10.44	CR_PTIMEMODE Command	88

9.10.45	CR_PTIMER Command.....	89
9.10.46	CR_PTIME Command	89
9.10.47	CR_KEYDIS Command.....	89
9.10.48	CR_SECURITY Command	89
9.10.49	CR_PJLOCKNOW Command.....	89
9.10.50	CR_PJLOCKMENU Command.....	90
9.10.51	CR_SHUTPROT Command	90
9.10.52	CR_SHUTRELEASE Command	90
9.10.53	CR_SHUTH Command.....	90
9.10.54	CR_CCAPTIONDISP Command.....	91
9.10.55	CR_CCAPTIONCOLOR Command	91
9.10.56	CR_DELAYCTRL Command.....	91
9.10.57	CR_TESTPAT Command	91
9.11	Other Status Read Commands	92
9.11.1	CR_STATUS Command	92
9.11.2	CR_SIGNAL Command.....	92
9.11.3	CR_VMUTE Command.....	92
9.11.4	CR_FREEZE Command.....	92
9.11.5	CR_TEMPFAIL Command	93
9.11.6	CR_TEMP Command	94
9.11.7	CR_SHUTCOND Command.....	94
9.11.8	CR_SERIALNO Command	94

1 Overview

- This Functional Specification defines communication with PJ-Net organizer for PLC-HP7000L.
- Supporting Firmware Ver. 1.x of the projector.
- Commands in this document are to communicate with PJ-Net organizer, but most commands are used to control a projector remotely from a computer with RS-232C. Therefore commands in this document are defined as Expand Serial Commands.

2 Serial Interface Specification

2.1 Transfer Specification

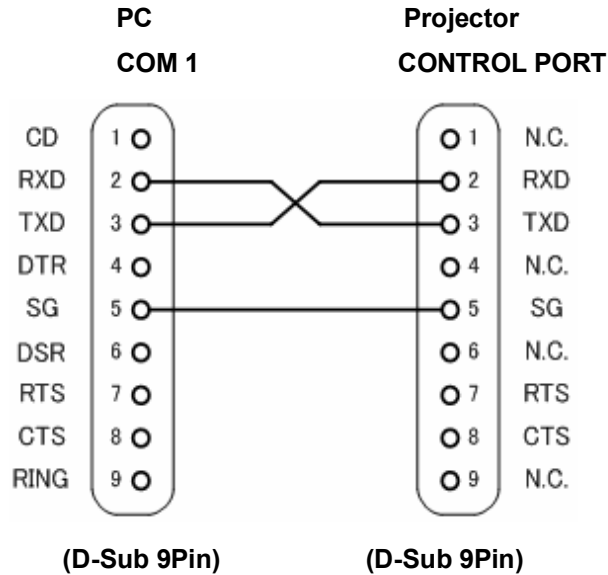
Item	Specification
Synchronous System	Asynchronous
Transmission Speed	9600 / 19200
Data Length	8 bits
Parity	N/A
Stop Bit	1
Flow Control	N/A

Note1) Transmission Speed: initial setting value is 19200

Note2) Transmission Speed can be changed in Service mode.

2.2 Connection

Dedicated serial cables must be used for the connection between a computer and a projector.



Connect COM port of the computer to CONTROL PORT of the projector.

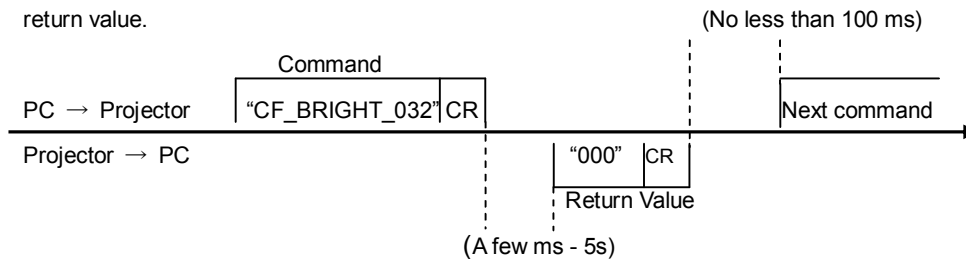
COM Port (COM1 or COM2) of a computer is specified by control software of the computer.

3 Notes for communication

1. Expand Serial Command is defined as a single command per line that starts with "C" and ends with carriage return (0x0D).
2. There are two types of commands; Functional Execution Commands and Status Read Command.
 - Example of Functional Execution Command: "CF_BRIGHT_032" [CR]
 - Example of Status Read Command: "CR_BRIGHT" [CR]

Note) "_" means a space

3. When it takes more than a second to receive a single command, it is not executed.
When it takes more than a second to receive carriage return (0x0D) since the reception of the first data "C", it clears the information of the receive buffer.
4. When the command pipelining, allow the interval time of no less than 100ms after receiving return value.



5. Do not send another command before the reception of the return value; the operation by the command is not ensured.
However this is not the case when no response is returned after more than 5 seconds.
6. It takes about 5 seconds for internal initialization after plugging in AC power. During this time, it cannot process commands. Do not issue any command.

4 Notation Convention

1. Data from a controller to a projector is represented as COMMAND, and data from a projector to a controller in response to the incoming command is represented as RESPONSE.
2. [CR]: Carriage Return Code
Carriage Return code is added to the end of the command.
Response is also followed by carriage return code.
3. _: Space Code
Space Code is represented as (_).
4. %1: Parameter included in Command
When there are more than one parameter, they are defined as %2, %3...
5. %%%: Error Code returned from a projector
Acceptable: "000".
Unacceptable: See [7. Error Code Table].

5 Functional Execution Command Table

5.1 Image Command Table

Execute command	Item
CF_BRIGHT_%1 [CR]	Set value of Brightness
CF_CONT_%1 [CR]	Set value of Contrast
CF_COLOR_%1 [CR]	Set value of Color
CF_TINT_%1 [CR]	Set value of Tint
CF_COLMNSAV_%1[CR]	Set area to store current values of Color Management
CF_COLMNLD_%1[CR]	Set area to load values of Color Management
CF_APCTRL_%1[CR]	Set level of Auto Picture Control
CF_ADVCOL_%1[CR]	Set mode of Advanced color setting
CF_SHARP_%1 [CR]	Set value of Sharpness
CF_GAMMA_%1 [CR]	Set value of Gamma
CF_WBAL-R_%1 [CR]	Set Red value of White Balance
CF_WBAL-G_%1 [CR]	Set Green value of White Balance
CF_WBAL-B_%1 [CR]	Set Blue value of White Balance
CF_COLTEMP_%1 [CR]	Set level of Color Temperature
CF_OFFSET-R_%1 [CR]	Set Red value of Offset
CF_OFFSET-G_%1 [CR]	Set Green value of Offset
CF_OFFSET-B_%1 [CR]	Set Blue value of Offset
CF_NZRED_%1 [CR]	Set ON/OFF of Noise reduction
CF_PROGV_%1 [CR]	Set mode of Progressive scan
CF_IMAGE_%1 [CR]	Set Image mode
CF_IMAGEADJ_%1 [CR]	Set Store/Reset of values in Image Adjustment

5.2 PC Adjust Control Command Table

Execute command	Item
CF_FSYNC_%1 [CR]	Set value of Fine Sync
CF_TDOTS_%1 [CR]	Set value of Total Dots
CF_CLPPHASE_%1 [CR]	Set value of Clamp Phase
CF_H-POS_%1 [CR]	Set value of Horizontal Position
CF_V-POS_%1 [CR]	Set value of Vertical Position
CF_DDOTS_%1 [CR]	Set value of Display Dots
CF_DLINE_%1 [CR]	Set value of Display Line
CF_SETPCADJ_%1 [CR]	Apply values set in PC Adjust menu to screen image
CF_ORGMODE_%1 [CR]	Specify the original signal for PC mode
CF_PCSTORE_%1 [CR]	Store current setting values in PC Adjust menu to Mode %1
CF_PCMODEFREE_%1 [CR]	Delete the values registered in Mode %1 and return it to Free status.

5.3 Input Control Command Table

Execute command	Item
CF_INPUT_%1 [CR]	Select Input
CF_SOURCE_%1 [CR]	Select Source of selected Input
CF_INPUT1_%1 [CR]	Select Input1 and also set input source to %1
CF_INPUT2_%1 [CR]	Select Input2 and also set input source to %1
CF_INPUT3_%1 [CR]	Select Input3 and also set input source to %1
CF_INPUT4_%1 [CR]	Select Input4 and also set input source to %1
CF_SYSTEM_%1 [CR]	Select System of currently selected Input

5.4 Screen Control Command Table

Execute command	Item
CF_SCREEN_%1[CR]	Select Screen size
CF_DZCENT_%1[CR]	Cancel Digital Zoom mode
CF_VSCALE_%1[CR]	Set V Scale
CF_VPOS_%1[CR]	Set V Position
CF_HSCALE_%1[CR]	Set H Scale
CF_HPOS_%1[CR]	Set H Position
CF_KEYSTONE_%1[CR]	Set Keystone correction
CF_KYSTNMODE_%1[CR]	Set Keystone store mode
CF_CORNER-UL_%1[CR]	Correct top-left corner
CF_CORNER-UR_%1[CR]	Correct top-right corner
CF_CORNER-DL_%1[CR]	Correct bottom-left corner
CF_CORNER-DR_%1[CR]	Correct bottom-right corner
CF_CORNERTESTPAT_%1[CR]	Select test pattern for Corner correction.
CF_CEIL_%1[CR]	Set ON/OFF of Ceiling
CF_REAR_%1[CR]	Set ON/OFF of Rear
CF_SCREENASPECT_%1[CR]	Set Screen aspect function

5.5 Lamp Command Table

Execute command	Item
CF_LAMPH_%1[CR]	Reset total running time for each lamp
CF_LAMPMODE_%1[CR]	Select Lamp mode

5.6 Setting Command Table

Execute command	Item
CF_LANG_%1[CR]	Select language for OSD
CF_MENUPOSITION_%1[CR]	Select the position of the On-Screen Menu.
CF_MENUSIZE_%1[CR]	Set Menu size
CF_INPUTBUTTON_%1[CR]	Set up Input search function
CF_DISP_%1[CR]	Set ON/OFF of On Screen Display
CF_BACKGND_%1[CR]	Select screen for no signal
CF_LOGO_%1[CR]	Set PIN code and mode for Logo
CF_PIP_%1[CR]	Set "Picture in Picture"
CF_PIPMODE_%1[CR]	Set mode of "Picture in Picture"
CF_PIPMAININP_%1_%2[CR]	Select Input and Source for "Picture in Picture" (Main picture)
CF_PIPSUBINP_%1_%2[CR]	Select Input and Source for "Picture in Picture" (Sub picture)
CF_PIPSIZE_%1_%2[CR]	Set picture size in "Picture in Picture"
CF_PIPPOSITION_%1[CR]	Set position in "Picture in Picture"
CF_PIPFRAMELOCK_%1[CR]	Set Frame lock in "Picture in Picture"
CF_PIPSTORE_%1[CR]	Store current status in "Picture in Picture" to User1-5
CF_PIPMODEFREE_%1[CR]	Clear registration value in User %1 and return to state of Free.
CF_PIPRST_%1[CR]	Reset setting of "Picture in Picture"
CF_EDGEBLENDING_%1[CR]	Set Edge blending
CF_BLEND_%1_%2[CR]	Set the value of Width for Edge blending
CF_BLENDSTART_%1_%2[CR]	Set the value of Start (Left/Right/Top/Bottom) for Edge blending
CF_BLENDBLK_%1_%2[CR]	Set Black level(R/G/B) for Edge blending
CF_BLENDBLKALL_%1_%2[CR]	Set Black level(ALL) for Edge blending
CF_BLENDTESTPAT_%1[CR]	Set Test pattern for Edge blending
CF_BLENDRST_%1[CR]	Reset Edge blending

CF_BLENDMENUOFF_%1[CR]	Set Menu off function in Edge blending
CF_BLENDMENU_%1[CR]	Select display or erase Edge blending menu.
CF_COLORMATCHING_%1[CR]	Set Color matching
CF_CMMSXY_%1_%2_%3[CR]	Set "x,y" value of Measured for Color matching
CF_CMMSL_%1_%2[CR]	Set "L" value of Measured for Color matching
CF_CMTGXY_%1_%2_%3[CR]	Set "x,y" value of Target for Color matching
CF_CMTGG_%1_%2[CR]	Set "g" value of Target for Color matching
CF_CMAUTOTESTPAT_%1[CR]	Set Auto test pattern for Color matching
CF_CMRST_%1[CR]	Reset Color matching
CF_CMSTORE_%1[CR]	Store Color matching
CF_CMMSTESTPAT_%1[CR]	Display Measured Test pattern for Color matching
CF_CMTGTESTPAT_%1[CR]	Display Target Test pattern for Color matching
CF_CMFDEFAULT_%1[CR]	Return the value of Color matching to Factory Default settings.
CF_CMMENUOFF_%1[CR]	Set Menu off function in Color matching
CF_CMMENU_%1[CR]	Select display or erase Color matching menu
CF_HDMISETUP_%1[CR]	Set Image mode of HDMI menu.
CF_FILH_%1[CR]	Reset Filter used time
CF_FILTIMER_%1[CR]	Set time to display Filter cleaning / replacement warning on screen
CF_FILCTL_%1[CR]	Execute operation of scroll of filter
CF_FILSCRL_%1[CR]	Reset Filter scroll counter
CF_FANSPEED_%1 [CR]	Set level of Fan Speed
CF_SIMPLEMODE_%1 [CR]	Set Simple mode function
CF_RCODE_%1 [CR]	Select Remote Control Code
CF_RSNS_%1 [CR]	Select location of infrared remote receiver of remote control
CF_P-MANE_%1 [CR]	Set Power Management function
CF_P-MANETIME_%1 [CR]	Set time of Power Management
CF_ON-STA_%1 [CR]	Set Direct on function
CF_POINTER_%1[CR]	Set Pointer function
CF_PTIMEMODE_%1[CR]	Set count up / count down in P-timer function
CF_PTIMER_%1[CR]	Set the status of P-timer
CF_PTIME_%1[CR]	Set the time for count down mode in P-timer function
CF_KEYDIS_%1 [CR]	Prohibit RC/KEY control
CF_PJPINCODE_%1[CR]	Enter PJ PIN code to cancel PJ lock
CF_SHUTPROT_%1[CR]	Set valid / invalid of Side panel or RC key on Shutter control function
CF_SHUTRELEASE_%1[CR]	Set release key of Shutter
CF_SHUTH_%1[CR]	Set time of operating shutter management function
CF_CCAPTIONDISP_%1[CR]	Set channel of Closed caption
CF_CCAPTIONCOLOR_%1 [CR]	Set color of Closed caption
CF_DELAYCTRL_%1[CR]	Set Video delay control function
CF_TESTPAT_%1[CR]	Set Test pattern display function
CF_FDEFAULT_%1 [CR]	Reset to Factory Default settings

5.7 Other Command Table

Execute command	Item
CF_KEYEMU_%1 [CR]	The same operation as Control Key
CF_MENU_%1 [CR]	Set ON/OFF of Menu
CF_POWER_%1 [CR]	Set ON/OFF of Power
CF_FREEZE_%1 [CR]	Set ON/OFF of Freeze
CF_VMUTE_%1 [CR]	Set ON/OFF of Video Mute

6 Status Read Command Table

6.1 Image Status Read Command Table

Status Read command	Item
CR_BRIGHT [CR]	Get value of Brightness
CR_CONT [CR]	Get value of Contrast
CR_COLOR [CR]	Get value of Color
CR_TINT [CR]	Get value of Tint
CR_IRIS [CR]	Get setting status of Iris function
CR_SHARP [CR]	Get value of Sharpness
CR_GAMMA [CR]	Get value of Gamma
CR_WBAL-R [CR]	Get Red value of White Balance
CR_WBAL-G [CR]	Get Green value of White Balance
CR_WBAL-B [CR]	Get Blue value of White Balance
CR_COLTEMP [CR]	Get value of Color temperature
CR_OFFSET-R[CR]	Get Offset Red
CR_OFFSET-G[CR]	Get Offset Green
CR_OFFSET-B[CR]	Get Offset Blue
CR_NZRED [CR]	Get setting status of Noise reduction
CR_PROGV [CR]	Get setting status of Progressive scan
CR_IMAGE [CR]	Get Selected Image status
CR_IMGGMD [CR]	Get setting value of Image Gamma
CR_APCTRL	Get setting status of Auto Picture Control
CR_ADVCOL [CR]	Get setting status of Advanced color

6.2 PC Adjust Status Read Command Table

Status Read command	Item
CR_FSYNC [CR]	Get setting value of Fine Sync
CR_TDOTS [CR]	Get setting value of Total Dots
CR_CLPPHASE [CR]	Get setting value of Clamp phase
CR_H-POS [CR]	Get setting value of Horizontal Position
CR_V-POS [CR]	Get setting value of Vertical Position
CR_DDOTS [CR]	Get setting value of Display Dots
CR_DLINE [CR]	Get setting value of Display Line
CR_ORGMODE [CR]	Get the original signal for PC-Adjusted mode
CR_PCSTORE [CR]	Get status Free/ Stored for PC Adj. mode 1-10
CR_SETPCADJ [CR]	Get currently displayed PC signal in system

6.3 Video Status Read Command Table

Status Read command	Item
CR_SERSYS [CR]	Get currently selected signal. In Auto mode, it returns a result by Auto detection.

6.4 Input Status Read Command Table

Status Read command	Item
CR_INPUT [CR]	Get selected Input
CR_SOURCE [CR]	Get selected Source
CR_SRCINP1 [CR]	Get selected source for Input 1
CR_SRCINP2 [CR]	Get selected source for Input 2
CR_SRCINP3 [CR]	Get selected source for Input 3
CR_SRCINP4 [CR]	Get selected source for Input 4
CR_SYSTEM [CR]	Get selected system in current Input mode
CR_SYSLIST [CR]	Get possible system list
CR_MODELIST [CR]	Get possible mode list
CR_HMSLOT [CR]	Get total number of Inputs
CR_NMSLOT1 [CR]	Get terminal information of Input1.

CR_NMSLOT2[CR]	Get terminal information of Input2.
CR_NMSLOT3[CR]	Get terminal information of Input3
CR_NMSLOT4[CR]	Get terminal information of Input4.
CR_IDSLOT1[CR]	Get ID information of Input1
CR_IDSLOT2[CR]	Get ID information of Input2
CR_IDSLOT3[CR]	Get ID information of Input3
CR_IDSLOT4[CR]	Get ID information of Input4

6.5 Screen Status Read Command Table

Status Read command	Item
CR_SCREEN [CR]	Get selected screen size
CR_VSCALE[CR]	Get setting status of V Scale
CR_VPOS[CR]	Get setting status of V Position
CR_HSCALE[CR]	Get setting status of H Scale
CR_HPOS[CR]	Get setting status of H Position
CR_KYSTNMODE[CR]	Get selected Keystone store mode
CR_CORNERTESTPAT [CR]	Get setting of test pattern for Corner correction.
CR_CEIL [CR]	Get setting status of Ceiling
CR_REAR [CR]	Get setting status of Rear
CR_SCREENASPECT[CR]	Get setting status of Screen aspect

6.6 Lamp Status Read Command Table

Status Read command	Item
CR_LAMPREPL [CR]	Get information of Lamp replacement time
CR_LAMPH [CR]	Get information of actual Lamp running time
CR_LAMPCORRESPH [CR]	Get lamp running time multiplied by a coefficient
CR_LAMPMODE [CR]	Get selected Lamp mode
CR_LAMPSTS [CR]	Get status of the Lamp
CR_PROJH [CR]	Get total running time of projector
CR_HMLAMP [CR]	Get the total number of lamps

6.7 Setting Status Read Command Table

Status Read command	Item
CR_LANG [CR]	Get selected language
CR_MENUSIZE [CR]	Get setting status of Menu size
CR_INPUTBUTTON [CR]	Get setting status of Input button function
CR_DISP [CR]	Get setting status of Display
CR_BACKGND [CR]	Get setting status of Screen for no signal
CR_LOGO [CR]	Get setting status of Logo
CR_LOGOLOCK[CR]	Get setting status of Logo Lock
CR_PIP[CR]	Get setting status of "Picture in Picture"
CR_PIPADJ[CR]	Get status of User1-User5 in "Picture in Picture".
CR_PIPMODE[CR]	Get setting status of Mode in "Picture in Picture"
CR_PIPMAININP[CR]	Get setting status of Input / Source for "Picture in Picture" (Main picture)
CR_PIPSUBINP[CR]	Get setting status of Input / Source for "Picture in Picture" (Sub picture)
CR_PIPSIZE[CR]	Get picture size in "Picture in Picture"
CR_PIPFRAMELOCK[CR]	Get setting status of Frame lock in "Picture in Picture"
CR_PIPSTORE[CR]	Get stored status in "Picture in Picture"
CR_EDGEBLENDING[CR]	Get setting status of Edge blending
CR_BLEND[CR]	Get value of Width in Edge blending
CR_BLENDSTART[CR]	Get value of Start set in Edge blending
CR_BLENDBLK[CR]	Get setting status of Black level of Edge blending
CR_BLENDTESTPAT[CR]	Get setting status of Test pattern of Edge blending

CR_COLORMATCHING [CR]	Get setting status of Color matching
CR_CMMSXY_%1[CR]	Get "x","y" value of Measured of Color matching
CR_CMMSL_%1[CR]	Get "L" value of Measured of Color matching
CR_CMTGXY_%1[CR]	Get "x","y" value of Target of Color matching
CR_CMTGG_%1[CR]	Get "g" value of Target of Color matching
CR_CMAUTOTESTPAT [CR]	Get setting status of Auto test pattern of Color matching
CR_CMMSTESTPAT[CR]	Get setting status of test pattern(Measured) of Color matching
CR_CMTGTESTPAT[CR]	Get setting status of test pattern(Target) of Color matching
CR_HDMISETUP[CR]	Get status of Image mode of HDMI setup.
CR_FILREMAIN[CR]	Get remaining number of usable Filter scroll
CR_FILH[CR]	Get Filter used time
CR_FILTIMER[CR]	Get time to display Filter cleaning / replacement warning on screen
CR_FILCOND[CR]	Get status of filter clog
CR_FILREPL[CR]	Get status of Filter cleaning / replacement time
CR_FANSPEED [CR]	Get selected Fan Control Speed
CR_SIMPLEMODE [CR]	Get selected mode in Simple mode function
CR_RCODE [CR]	Get selected Remote Control code
CR_RSENS [CR]	Get selected location of infrared remote receiver of remote control
CR_RTYPE [CR]	Get supported Remote Control type (IR/RF)
CR_P-MANE [CR]	Get Power management setting status
CR_P-MANETIME [CR]	Get setting time for Power Management
CR_ON-STA [CR]	Get setting status of Direct on
CR_POINTER[CR]	Get setting status of Pointer
CR_PTIMERMODE[CR]	Get setting mode of P-timer
CR_PTIMER[CR]	Get status of P-timer
CR_PTIME[CR]	Get setting time for count down mode in P-timer
CR_KEYDIS [CR]	Get RC/KEY prohibited status
CR_SECURITY [CR]	Get setting status of Security
CR_PJLOCKNOW [CR]	Get setting status of current PJ Lock
CR_PJLOCKMENU [CR]	Get PJ Lock setting status on the menu
CR_SHUTPROT[CR]	Get disability state of Side panel and RC key for controlling shutter
CR_SHUTRELEASE[CR]	Get setting status of release key of shutter
CR_SHUTH[CR]	Get time setting to begin the shutter management
CR_CCAPTIONDISP[CR]	Get setting status of channel of Closed caption
CR_CCAPTIONCOLOR [CR]	Get setting status of color of Closed caption
CR_DELAYCTRL[CR]	Get selected mode of Video delay control
CR_TESTPAT[CR]	Get setting status of Test pattern

6.8 Other Status Read Command Table

Status Read command	Item
CR_STATUS [CR]	Get operating status of Projector
CR_SIGNAL [CR]	Get status of signal existence
CR_VMUTE [CR]	Get setting status of video mute
CR_FREEZE [CR]	Get setting status of Freeze
CR_TEMPFAIL [CR]	Get temperature when sensors approach abnormal temperature
CR_TEMP [CR]	Get current temperature
CR_SHUTCOND [CR]	Get setting status of Shutter
CR_SERIALNO [CR]	Get value of SERIAL NO.

7 Error Code Table

Error Code	Contents
?	-When the received data cannot be decoded -Parameter designation error (wrong digit number, including invalid value, etc.)
000	Normal reception (This is "Not" error)
101	The function is not available in the selected Mode
102	Selected value is out of range (Not reflected)
103	Command mismatched to Hardware (the command is for Optional function which is not implemented)
201	Incremented or decremented value or values are beyond upper or lower limits.
301	Not executable due to screen capturing in process. Prompting reissue of the command after a while.
402	Not executable due to PIN code in operation. Prompting reissue of the command after a while.

Note) These error codes are applied to Expand Command, not to Basic Command

8 Functional Execution Command

8.1 Format

1) PC issues commands in format as below:

Pattern1: "CF_ **COMMAND**" [CR]

Pattern2: "CF_ **COMMAND** _" %1 [CR]

CF_: Header

COMMAND: String

%1: Parameter (String)

_: Space (To separate COMMAND and Parameter)

2) The projector decodes the received command and when it is ready to receive the next command, it returns the response.

"000" [CR]: (0x06,0x0D) When receiving Functional Execution Command

"nnn" [CR]: Except "000", when it is unable to execute command for any specific reason.

See Error Code Table for details

3) When the received data cannot be decoded, the projector returns "?" [CR]

8.2 Transfer Example

When setting projector's total dots to 1344 by Expand Serial command

PC → PJ: "CF_TDOTS_1344" [CR]

PC → PJ: "000" [CR] ----- Acceptable

8.3 Operation Requirements

1. Functional Execution Command is limited when the projector status is as below.

However, Status Read Command is still effective under following conditions.

Projector Status	Available Functional Execution Command
Standby Mode	C00: Power ON CF POWER ON
Countdown in process	C00: Power ON CF POWER ON (Terminates Count Down)
Cooling Down in process	N/A
Cooling Down due to Abnormal Temperature	N/A
Abnormal Temperature	N/A
Power Failure (60 seconds after Power failure occurred)	N/A
Abnormal Filter	N/A
Power-Save Cooling Down in process	N/A
Cooling Down in process due to Shutter management	N/A
Power Save in process	C00: Power ON C01: Power OFF CF POWER ON CF POWER OFF

Note) When projector receives another command in the above status, it returns error code which shows the status.

8.4 Image Command

8.4.1 CF_BRIGHT Command

Command	"CF_BRIGHT_%1" [CR]	
%1	"000-063"----- Directly specify setting value of Brightness "UP"----- Increment setting value of Brightness by 1 "DN"----- Decrement setting value of Brightness by 1	
Details	Set user controlled value of Brightness (Available only in the normal Power ON status) The value set by this command will not be stored in the projector's memory. Therefore, when the power is turned to ALL OFF status, the value returns to the original setting. (It is stored in Suspend mode.)	
Response	Acceptable	"000" [CR]
	Unacceptable	"Error Code" [CR]

8.4.2 CF_CONT Command

Command	"CF_CONT_%1" [CR]	
%1	"000-063"----- Directly specify setting value of Contrast "UP"----- Increment setting value of Contrast by 1 "DN"----- Decrement setting value of Contrast by 1	
Details	Set user controlled value of Contrast (Available only in the normal Power ON status) The value set by this command will not be stored in the projector. Therefore, when the power is turned to ALL OFF status, the value returns to the original setting. (It is stored in Suspend mode.)	
Response	Acceptable	"000" [CR]
	Unacceptable	"Error Code" [CR]

8.4.3 CF_COLOR Command

Command	"CF_COLOR_%1" [CR]	
%1	"000-063"----- Directly specify setting value of Color "UP"----- Increment setting value of Color by 1 "DN"----- Decrement setting value of Color by 1	
Details	Set user controlled value of Color (Available only in the normal Power ON status) The value set by this command will not be stored in the projector's memory. Therefore, when the power is turned to ALL OFF status, the value returns to the original setting. (It is stored in Suspend mode.)	
Response	Acceptable	"000" [CR]
	Unacceptable	"Error Code" [CR]

8.4.4 CF_TINT Command

Command	"CF_TINT_%1" [CR]	
%1	"000-063"----- Directly specify setting value of Tint "UP"----- Increment setting value of Tint by 1 "DN"----- Decrement setting value of Tint by 1	
Details	Set Tint value (Available only in the normal Power ON status) The value set by this command will not be saved to the projector's memory. Therefore, when the power is turned to ALL OFF status, the value returns to the original setting. (It is stored in Suspend mode.)	
Response	Acceptable	"000" [CR]
	Unacceptable	"Error Code" [CR]

8.4.5 CF_COLMNSAV Command

Command	"CF_COLMNSAV_%1" [CR]	
%1	"000 – 009" ----- Specify the area to store	
Details	Store current setting status of Color Management to the area specified in %1. (Available only in the normal Power ON status)	
Response	Acceptable	"000" [CR]
	Unacceptable	"Error Code" [CR]

8.4.6 CF_COLMNL D Command

Command	"CF_COLMNL D_%1" [CR]	
%1	"000 – 009" ----- Specify the area to store	
Details	Retrieve Color Management setting status from the area specified in %1. (Available only in the normal Power ON status)	
Response	Acceptable	"000" [CR]
	Unacceptable	"Error Code" [CR]

8.4.7 CF_SHARP Command

Command	"CF_SHARP_%1" [CR]	
%1	"000-031"----- Directly specify setting value of Sharpness "UP"----- Increment setting value of Sharpness by 1 "DN"----- Decrement setting value of Sharpness by 1	
Details	Set user controlled value of Sharpness (Available only in the normal Power ON status) The value set by this command will not be stored in the projector's memory. Therefore, when the power is turned to ALL OFF status, the value returns to the original setting. (It is stored in Suspend mode.)	
Response	Acceptable	"000" [CR]
	Unacceptable	"Error Code" [CR]

8.4.8 CF_GAMMA Command

Command	"CF_GAMMA_%1" [CR]	
%1	"000-015"----- Directly specify setting value of Gamma "UP"----- Increment setting value of Gamma by 1 "DN"----- Decrement setting value of Gamma by 1	
Details	Set user controlled value of Gamma (Available only in the normal Power ON status) The value set by this command will not be stored in the projector's memory. Therefore, when the power is turned to ALL OFF status, the value returns to the original setting. (It is stored in Suspend mode.)	
Response	Acceptable	"000" [CR]
	Unacceptable	"Error Code" [CR]

8.4.9 CF_WBAL- Command

Command	"CF_WBAL-%1_%2" [CR]	
%1	"R" ----- RED "G" ----- GREEN "B" ----- BLUE	
%2	"000-063"----- Directly specify value of Color selected in %1 of White Balance. "UP"----- Increment setting value of Color specified in %1 of White Balance by 1 "DN"----- Decrement setting value of Color specified in %1 of White Balance by 1	
Details	Set value of Color specified in %1 of White Balance (Available only in the normal Power ON status) The value set by this command will not be stored in the projector's memory. Therefore, when the power is turned to ALL OFF status, the value returns to the original setting. (It is stored in Suspend mode.)	
Response	Acceptable	"000" [CR]
	Unacceptable	"Error Code"[CR]

8.4.10 CF_COLTEMP Command

Command	"CF_COLTEMP_%1" [CR]	
%1	"000"----- Xlow "001"----- Low "002"----- Mid "003"----- High	
Details	Set Color Temperature The value set by this command will not be stored in the projector's memory. Therefore, when the power is turned to ALL OFF status, the value returns to the original setting. (It is stored in Suspend mode.)	
Response	Acceptable	"000" [CR]
	Unacceptable	"Error Code" [CR]

8.4.11 CF_OFFSET- Command

Command	"CF_OFFSET-%1_%2" [CR]	
%1	"R" ----- RED "G" ----- GREEN "B" ----- BLUE	
%2	"000-063"----- Directly specify value of Color selected in %1 of Offset. "UP"----- Increment setting value of Color specified in %1 of Offset by 1 "DN"----- Decrement setting value of Color specified in %1 of Offset by 1	
Details	Set value of Color specified in %1 of Offset (Available only in the normal Power ON status) The value set by this command will not be stored in the projector's memory. Therefore, when the power is turned to ALL OFF status, the value returns to the original setting. (It is stored in Suspend mode.)	
Response	Acceptable	"000" [CR]
	Unacceptable	"Error Code"[CR]

8.4.12 CF_NZRED Command

Command	"CF_NZRED_%1" [CR]	
%1	"OFF" ----- Cancel Noise Reduction "ON" ----- Set Noise Reduction "UP" ----- The same operation as pressing Up key or Left key "DN" ----- The same operation as pressing Down key or Right key	

	**"UP" and "DN" are exactly same operation.	
Details	Set Noise Reduction level (Available only in the normal Power ON status) The value set by this command will not be stored in the projector's memory Therefore, when the power is turned to ALL OFF status, the value returns to the original setting. (It returns to the original setting in Suspend mode as well.)	
Response	Acceptable	"000" [CR]
	Unacceptable	"Error Code" [CR]

8.4.13 CF_PROGV Command

Command	"CF_PROGV_%1" [CR]	
%1	"ON" ----- Set Progressive scan to On. "FILM" ----- Set Progressive scan to Film. "OFF" ----- Set Progressive scan to OFF. "UP" ----- The same operation as pressing Up key or Left key "DN" -----The same operation as pressing Down key or Right key	
Details	Set Progressive scan mode. (Available only in the normal Power ON status) The value set by this command will not be stored in the projector's memory. Therefore, when the power is turned to ALL OFF status, the value returns to the original setting. (It is stored in Suspend mode.)	
Response	Acceptable	"000" [CR]
	Unacceptable	"Error Code" [CR]

8.4.14 CF_IMAGE Command

Command	"CF_IMAGE_%1" [CR]	
%1	"DYNAMIC" --- Dynamic (Fixed value to enable projection with a sharp, powerful picture tone) "STAND" ----- Standard (Image adjust value is set to factory default for Still Image) "REAL"----- Real (Fixed value to display graphic image with natural tone) "NATURAL"--- Natural (Fixed value to provide image with more natural color and tone) "CINEMA"----- Cinema (Fixed value to focus on tone reproduction for movie) "CUSTOM1" ----- Image1 (the value adjusted and stored by user) "CUSTOM2" ----- Image2 (the value adjusted and stored by user) "CUSTOM3" ----- Image3 (the value adjusted and stored by user) "CUSTOM4" ----- Image4 (the value adjusted and stored by user) "CUSTOM5" ----- Image5 (the value adjusted and stored by user) "CUSTOM6" ----- Image6 (the value adjusted and stored by user) "CUSTOM7" ----- Image7 (the value adjusted and stored by user) "CUSTOM8" ----- Image8 (the value adjusted and stored by user) "CUSTOM9" ----- Image9 (the value adjusted and stored by user) "CUSTOM10" ----- Image10 (the value adjusted and stored by user)	
Details	Select Image Mode (Available only in the normal Power ON status) Parameter "CUSTOM1" to "CUSTOM10" corresponds to "Image1" to "Image10" displayed in projector OSD menu on selecting Image. The value set by this command is stored in EEPROM so that the setting can remain effective even after the power is turned to ALL OFF status.	
Response	Acceptable	"000" [CR]
	Unacceptable	"Error Code" [CR]

8.4.15 CF_IMAGEADJ Command

Command	"CF_IMAGEADJ_%1"[CR]	
%1	"RST"----- Reset adjusted value for the Image "STR1"---- Store current adjusted value to Image 1 "STR2"---- Store current adjusted value to Image 2 "STR3"---- Store current adjusted value to Image 3 "STR4"---- Store current adjusted value to Image 4 "STR5"---- Store current adjusted value to Image 5 "STR6"---- Store current adjusted value to Image 6 "STR7"---- Store current adjusted value to Image 7 "STR8"---- Store current adjusted value to Image 8 "STR9"---- Store current adjusted value to Image 9 "STR10"---- Store current adjusted value to Image 10	
Details	Reset or Store adjusted value for Image. (Available only in the normal Power ON status) "STR1"-"STR10" corresponds to "Image1"-"Image10" displayed in projector OSD menu on selecting "Store" for adjusted value of Image. The setting value set in "Image1" to "Image10" is stored and can be retrieved when turning on the projector again after the power is turned to ALL OFF status.	
Response	Acceptable	"000" [CR]
	Unacceptable	"Error Code" [CR]

8.4.16 CF_APCTRL Command

Command	"CF_APCTRL_%1" [CR]	
%1	"L1" ----- Set Auto Picture Control to Level 1. "L2" ----- Set Auto Picture Control to Level 2. "OFF" ----- Set Auto Picture Control OFF. "UP" ----- The same operation as pressing Up key or Left key "DN" -----The same operation as pressing Down key or Right key	
Details	Set Auto Picture Control (Available only in the normal Power ON status) The value set by this command is not stored in the projector's memory. Therefore, when the power is turned to ALL OFF status, the value returns to the original setting. (It is stored in Suspend mode.)	
Response	Acceptable	"000" [CR]
	Unacceptable	"Error Code" [CR]

8.4.17 ADVCOL Command

Command	"CF_ADVCOL_%1" [CR]	
%1	"AUTO" ----- Set Advanced color to Auto "OFF" ----- Set Advanced color OFF. "UP" ----- The same operation as pressing Up key or Left key "DN" -----The same operation as pressing Down key or Right key **"UP" and "DN" are exactly same operation.	
Details	Set Advanced color mode (Available only in the normal Power ON status) The value set by this command is not stored in the projector's memory. Therefore, when the power is turned to ALL OFF status, the value returns to the original setting. (It is stored in Suspend mode.)	
Response	Acceptable	"000" [CR]
	Unacceptable	"Error Code" [CR]

8.5 PC Adjust Control Command

8.5.1 CF_FSYNC Command

Command	"CF_FSYNC_%1" [CR]	
%1	"0000-0031" ----- Directly specify setting value of Fine Sync "UP" ----- Increment setting value of Fine Sync by 1 "DN" ----- Decrement setting value of Fine Sync by 1	
Details	Set value of Fine Sync in PC signal (Available only in the normal Power ON status) The value set by this command will not be stored in the projector's memory. Therefore, when the power is turned to ALL OFF status, the value returns to the original setting.	
Response	Acceptable	"000" [CR]
	Unacceptable	"101" [CR] --- When input is Video signal --- When input is no signal

8.5.2 CF_TDOTS Command

Command	"CF_TDOTS_%1" [CR]	
%1	"mmmm - nnnn" ----- Directly specify setting value of Total Dots "mmmm" indicates minimum value, which is current (Display area H + Position H) value "nnnn" indicates maximum value, which is <i>less than 140 MHz in Dot Clocks</i> "UP" ----- Increment setting value of Total Dots by 1 "DN" ----- Decrement setting value of Total Dots by 1	
Details	Set value of Total Dots in PC signal (Available only in the normal Power ON status) The value set by this command will not be stored in the projector's memory. Therefore, when the power is turned to ALL OFF status, the value returns to the original setting.	
Response	Acceptable	"000" [CR]
	Unacceptable	"101" [CR] --- When input is Video signal --- When input is no signal

8.5.3 CF_CLPPHASE Command

Command	"CF_CLPPHASE_%1" [CR]	
%1	"0000-0255" ----- Directly specify setting value of Clamp Phase "UP" ----- Increment setting value of Clamp Phase by 1 "DN" ----- Decrement setting value of Clamp Phase by 1	
Details	Set value of Clamp Phase (Available only in the normal Power ON status) The value set by this command will not be stored in the projector. Therefore, when the power is turned to ALL OFF, the value returns to the original setting.	
Response	Acceptable	"000" [CR]
	Unacceptable	"101" [CR] --- When input is Video signal --- When input is no signal

8.5.4 CF_H-POS Command

Command	"CF_H-POS_%1" [CR]	
%1	"0000-nnnn" ----- Directly specify setting value of Horizontal Position "nnnn" indicates maximum value, which is current value of (Total dots - Display area H) "UP" ----- Increment setting value of Horizontal Position by 1 "DN" ----- Decrement setting value of Horizontal Position by 1	
Details	Set value of Horizontal Position in PC signal (Available only in the normal Power ON status) The value set by this command will not be stored in the projector's memory. Therefore, when the power is turned to ALL OFF status, the value returns to the original setting.	
Response	Acceptable	"000" [CR]
	Unacceptable	"101" [CR] --- When input is Video signal --- When input is no signal

8.5.5 CF_V-POS Command

Command	"CF_V-POS_%1" [CR]	
%1	"0000-nnnn" ----- Directly specify setting value of Vertical Position "nnnn" indicates maximum value, which is current (Total Line – Display Area V) value "UP" ----- Increment setting value of Vertical Position by 1 "DN" ----- Decrement setting value of Vertical Position by 1	
Details	Set Vertical Position value (Available only in the normal Power ON status) The value set by this command will not be stored in the projector's memory. Therefore, when the power is turned to ALL OFF status, the value returns to the original setting.	
Response	Acceptable	"000" [CR]
	Unacceptable	"101" [CR] ---- When input is Video signal --- When input is no signal

8.5.6 CF_DDOTS Command

Command	"CF_DDOTS_%1" [CR]	
%1	"0100-nnnn" ----- Directly specify setting value of Display Dots "nnnn" indicates maximum value, which is current value of (Total Dots - Position H). In this projector, the value should be "even number" and if "odd number" is specified, it adds 1 to make the value even number. "UP" ----- Increment setting value of Display Dots by 2 "DN" ----- Decrement setting value of Display Dots by 2	
Details	Set setting value of Display Dots in PC signal (Available only in the normal Power ON status) The value set by this command will not be stored in the projector's memory. Therefore, when the power is turned to ALL OFF status, the value returns to the original setting.	
Response	Acceptable	"000" [CR]
	Unacceptable	"101" [CR] --- When input is Video signal --- When input is no signal

8.5.7 CF_DLINE Command

Command	"CF_DLINE_%1" [CR]	
%1	"0100-nnnn" ----- Directly specify setting value of Display Line "nnnn" indicates maximum value, which is current value of (Total Line - Position V). "UP" ----- Increment setting value of Display Line by 1 "DN" ----- Decrement setting value of Display line by 1	
Details	Set setting value of Display Line in PC signal (Available only in the normal Power ON status) The value set by this command will not be stored in the projector's memory. Therefore, when the power is turned to ALL OFF status, the value returns to the original setting.	
Response	Acceptable	"000" [CR]
	Unacceptable	"101" [CR] --- When input is Video signal --- When input is no signal

8.5.8 CF_SETPCADJ Command

Command	"CF_SETPCADJ_%1" [CR]	
%1	None "EXT11-60"	
Details	1. Apply setting value of PC adj. to the projecting image. Projecting image can be corrected with this command as well as when PC control command and Screen control command below directly apply its value to the image. (Available only in the normal Power ON status) <ul style="list-style-type: none"> • CF_FSYNC • CF_TDOTS • CF_CLAMPPAHSE • CF_H-POS • CF_V-POS • CF_DDOTS • CF_DLINE 2. When "EXT11-60" is specified in %1, "Ex Mode" (not like XGA1) is displayed in "SYSTEM" menu.	
Response	Acceptable	"000" [CR]
	Unacceptable	"101" [CR] --- When input is Video signal --- When input is no signal

8.5.9 CF_ORGMODE Command

Command	"CF_ORGMODE_%1" [CR]	
%1	<p>When input signal is PC Analog;</p> <p>"VGA1" ----- Specify VGA1 "VGA2" ----- Specify VGA2 : "XGA1" ----- Specify XGA1 : "WXGA3" ----- Specify WXGA3 "1080i60" ----- Specify 1080i60 "1080i50" ----- Specify 1080i50 "1035i" ----- Specify 1035i "720P60" ----- Specify 720p60 "720P50" ----- Specify 720p50 "575P" ----- Specify 575p "480P" ----- Specify 480p "575i" ----- Specify 575i "480i" ----- Specify 480i "1080PSF/24" ----- Specify 1080psf/24 "1080PSF/25" ----- Specify 1080psf/25 "1080PSF/30" ----- Specify 1080psf/30 "1080P24" ----- Specify 1080p24 "1080P25" ----- Specify 1080p25 "1080P30" ----- Specify 1080p30 "1080P50" ----- Specify 1080p50 "1080P60" ----- Specify 1080p60</p> <p>* When input signal is not PC Analog, error code "101" is returned.</p>	
Details	<p>After "EXT n" is set by PC control command such as CF_FSYNC/CF_TDOTS and CF_SETPCADJ command, specify the signal originated with by issuing this command.</p> <p>This command is used to specify projector internal settings such as whether or not to get PC signal through IP (Available only in the normal Power ON status) Note; To differentiate between 60Hz and 50Hz in 1080i and 720p, "60" or "50" is necessary to add to the parameter in this command.</p>	
Response	Acceptable	"000" [CR]
	Unacceptable	"101" [CR] --- When input isn't PC analog

8.5.10 CF_PCSTORE Command

Command	"CF_PCSTORE_%1" [CR]	
%1	<p>"1" ----- Store current value of PC Adjust to Mode1 "2" ----- Store current value of PC Adjust to Mode2 "3" ----- Store current value of PC Adjust to Mode3 "4" ----- Store current value of PC Adjust to Mode4 "5" ----- Store current value of PC Adjust to Mode5 "6" ----- Store current value of PC Adjust to Mode6 "7" ----- Store current value of PC Adjust to Mode7 "8" ----- Store current value of PC Adjust to Mode8 "9" ----- Store current value of PC Adjust to Mode9 "10" ----- Store current value of PC Adjust to Mode10</p>	
Details	<p>Store current value of PC Adjust (each parameter status such as Total dots) to Mode1-10. This command operates the same way as storing to Mode1-10 in PC Adjust Menu. (Available only in the normal Power ON status)</p>	
Response	Acceptable	"000" [CR]
	Unacceptable	"101" [CR] --- When input is Video signal --- When input is no signal

8.5.11 CF_PCMODEFREE_%1 Command

Command	"CF_PCMODEFREE_%1" [CR]	
%1	"1" ----- Set Mode1 to Free status "2" ----- Set Mode2 to Free status "3" ----- Set Mode3 to Free status "4" ----- Set Mode4 to Free status "5" ----- Set Mode5 to Free status "6" ----- Set Mode6 to Free status "7" ----- Set Mode7 to Free status "8" ----- Set Mode8 to Free status "9" ----- Set Mode9 to Free status "10" ----- Set Mode10 to Free status	
Details	Delete the data registered in Custom Mode1-10 and returns it to Free status. This command operates the same way as storing to Mode1-10 in PC Adjust Menu. (Available only in the normal Power ON status)	
Response	Acceptable	"000" [CR]
	Unacceptable	"101" [CR] --- When input is Video signal --- When input is no signal

8.6 Input Control Command

8.6.1 CF_INPUT Command

Command	"CF_INPUT_%1" [CR]	
%1	"1"----- Select Input 1 (not switching Source) "2"----- Select Input 2 (not switching Source) "3"----- Select Input 3 (not switching Source) "4"----- Select Input 4 (Network viewer) "UP"----- Increment Input No. by 1 "UP" ----- The same operation as pressing Up key or Left key "DN" -----The same operation as pressing Down key or Right key	
Details	Select Input (Available only in the normal Power ON status) This command switches only Input No, not Source. For instance, when Input 1 has been selected, receiving the command to select Input 1 does not invoke source-switching operation. That means it operates differently from "INPUT" button of Projector or Remote Control. *When selecting Input4 on a projector with PJ-Net unattached, it comes to "103". *When selecting Input4on a projector with PJ-Net attached and power OFF, it comes to "101".	
Response	Acceptable	"000" [CR]
	Unacceptable	"Error Code" [CR]

8.6.2 CF_SOURCE Command

Command	"CF_SOURCE_%1" [CR]	
%1	Input 1	"DIGITAL" ----- Select RGB (PC Digital) Input "ANALOG" ----- Select RGB (PC Analog) Input "SCART" ----- Select RGB (Scart) input "HDCP" ----- Select RGB (AV HDCP) input "HDMI" ----- Select HDMI input "UP" ----- The same operation as pressing Up key or Left key "DN" -----The same operation as pressing Down key or Right key
	Input 2	"VIDEO" ----- Select Video input "YPBPR" ----- Select Y, Pb/Cb, Pr/Cr Input "YCBCR" ----- Select Y, Pb/Cb, Pr/Cr Input "ANALOG" ----- Select RGB input "UP" ----- The same operation as pressing Up key or Left key "DN" -----The same operation as pressing Down key or Right key
	Input 3	"VIDEO" -----Select Video input "S-VIDEO" ----- Select S-Video input "YPBPR" ----- Select Y, Pb/Cb, Pr/Cr Input "YCBCR" ----- Select Y, Pb/Cb, Pr/Cr Input "UP" ----- The same operation as pressing Up key or Left key "DN" -----The same operation as pressing Down key or Right key
	Input 4	"NETWORK" "UP" "DN" *Input can not be selected, but above parameter is processed as acceptable.
Details	Select Source of currently selected Input (Available only in the normal Power ON status) When selected input does not include specified %1, error code "101" is returned and it is not executed. When Input No is 4 and PJ-Net power is OFF, error code "101" is returned.	
Response	Acceptable	"000" [CR]
	Unacceptable	"Error Code" [CR]

8.6.3 CF_INPUT 1 Command

Command	"CF_INPUT1_%1" [CR]	
%1	"DIGITAL" ----- Select PC Digital Input "ANALOG" ----- Select PC Analog Input "SCART" ----- Select SCART Input "HDCP" ----- Select DVI HDCP Input "HDMI" ----- Select HDMI Input	
Details	Select Input 1 as well as Source specified in %1 (Available only in the normal Power ON status)	
Response	Acceptable	"000" [CR]
	Unacceptable	"Error Code" [CR]

8.6.4 CF_INPUT 2 Command

Command	"CF_INPUT2_%1" [CR]	
%1	"VIDEO" ----- Select Composite Video Input "YPBPR" ----- Select Y, Pb/Cb, Pr/Cr Input "YCBCR" ----- Select Y, Pb/Cb, Pr/Cr Input "ANALOG" ----- Select RGB Input	
Details	Select Input 2 as well as Source specified in %1. (Available only in the normal Power ON status)	
Response	Acceptable	"000" [CR]
	Unacceptable	"Error Code" [CR]

8.6.5 CF_INPUT 3 Command

Command	"CF_INPUT3_%1" [CR]	
%1	"VIDEO" ----- Select Composite Video Input "S-VIDEO" ----- Select S-Video Input "YPBPR" ----- Select Y, Pb/Cb, Pr/Cr Input "YCBCR" ----- Select Y, Pb/Cb, Pr/Cr Input	
Details	Select Input 3 as well as Source specified in %1. (Available only in the normal Power ON status)	
Response	Acceptable	"000" [CR]
	Unacceptable	"Error Code" [CR]

8.6.6 CF_INPUT 4 Command

Command	"CF_INPUT4_%1" [CR]	
%1	"NETWORK" ----- Select input from PJ-Net	
Details	Select Input 4 as well as Source specified in %1. (Available only in the normal Power ON status) *With PJ-Net unattached, this command is invalid and error code "103" is returned. *With PJ-Net attached and the power OFF, error code "101" is returned.	
Response	Acceptable	"000" [CR]
	Unacceptable	"Error Code" [CR]

8.6.7 CF_SYSTEM Command

Command	"CF_SYSTEM_%1" [CR]	
%1	Input is PC Analog	"VGA1" ----- Select VGA1 "VGA2" ----- Select VGA2 : "XGA1" ----- Select XGA1 : "WXGA3" ----- Select WXGA3 "1080P" ----- Select 1080p "1080I" ----- Select 1080i "1035I" ----- Select 1035i "720P" ----- Select 720p "575P" ----- Select 575p "480P" ----- Select 480p "575I" ----- Select 575i "480I" ----- Select 480i "1080PSF/24" ----- Select 1080psf/24 "1080PSF/25" ----- Select 1080psf/25 "1080PSF/30" ----- Select 1080psf/30 "MODE1 - 10" ----- Select MODE1 – MODE10 "EXT11 - 60" ----- Select Ex Mode11-60 * EX1-10 is not returned.
	Input is PC Digital / AV HDCP	"D-XGA1" ----- Select D-XGA1 : "D-WXGA3" ----- Select D-WXGA3 "D-1080P" ----- Select D-1080p "D-1080I" ----- Select D-1080i "D-1035I" ----- Select D-1035i "D-720P" ----- Select D-720p "D-575P" ----- Select D-575p "D-480P" ----- Select D-480p "D-1080PSF/24" ----- Select D-1080psf/24 "D-1080PSF/25" ----- Select D-1080psf/25 "D-1080PSF/30" ----- Select D-1080psf/30
	Input is Y,Pb/Cb,Pr/Cr	"AUTO" ----- Select System "Auto" "1080P" ----- Select 1080p "1080I" ----- Select 1080i "1035I" ----- Select 1035i "720P" ----- Select 720p "575P" ----- Select 575p "480P" ----- Select 480p "575I" ----- Select 575i "480I" ----- Select 480i
	Input is Video / S-Video	"AUTO" ----- Select System "Auto" "NTSC" ----- Select NTSC "NTSC443" ----- Select NTSC4.43 "PAL" ----- Select PAL "SECAM" ----- Select SECAM "PAL-M" ----- Select PAL-M "PAL-N" ----- Select PAL-N
	Details	Select System of currently selected Input (Available only in the normal Power ON status) When selected input does not include specified %1, error code "101" [CR] is returned and it is not executed. When Input No is 4, error code "101" [CR] is returned and it is not executed.
Response	Acceptable	"000" [CR]
	Unacceptable	"Error Code" [CR]

8.7 Screen Control Command

8.7.1 CF_SCREEN Command

Command	"CF_SCREEN_%1" [CR]	
%1	Input is Computer	"NORMAL" ----- Select Normal mode "FULL" ----- Select Full screen mode "WIDE" ----- Select Wide(16:9) mode "ZOOM" ----- Select Zoom mode "TRUE" ----- Select True mode "CUSTOM" ----- Select Custom mode "DZOOM_UP" ----- Scale up with Digital zoom "DZOOM_DN" ----- Scale down with Digital zoom "UP" ----- The same operation as pressing Up key or Left key "DN" ----- The same operation as pressing Down key or Right key
	Input is Video	"NORMAL" ----- Select Normal mode "FULL" ----- Select Full screen mode "WIDE" ----- Select Wide(16:9) mode "ZOOM" ----- Select Zoom mode "NATURAL" ----- Select Natural wide mode "CUSTOM" ----- Select Custom mode "UP" ----- The same operation as pressing Up key or Left key "DN" ----- The same operation as pressing Down key or Right key
	Common in AV/PC	"RST" ----- Reset Screen adjustment
Details	Select screen size (Available only in the normal Power ON status) When selected input does not include specified %1, error code "101" [CR] is returned and it is not executed. Receiving "DZOOM_UP" or "DZOOM_DN" command immediately executes the function.	
Response	Acceptable	"000" [CR]
	Unacceptable	"Error Code" [CR]

8.7.2 CF_DZCENT Command

Command	"CF_DZCENT_%1" [CR]	
%1	"CENT" ----- Cancel Digital Zoom (CENT: "CENTER")	
Details	Cancel Digital Zoom (Available only in the normal Power ON status and Input for Computer is selected) Release the image setting in case the image is enlarged or reduced.	
Response	Acceptable	"000" [CR]
	Unacceptable	"101" [CR] ----- When input is Video

8.7.3 CF_VSCALE Command

Command	"CF_VSCALE_%1" [CR]	
%1	"035" ----- +35 "031" ----- +31 : "002" ----- +2 "001" ----- +1 "000" ----- ±0 " - 01" ----- - 1 " - 02" ----- - 2 : " - 31" ----- - 31 " - 32" ----- - 32 "UP" ----- Increment setting value of Vscale by 1 "DN" ----- Decrement setting value of Vscale by 1	
Details	Set Vscale (Available only in the normal Power ON status) *When the screen mode is not in "Custom", projector changes image mode into Custom by receiving this command. *When there is no signal detected, projector returns 101 and the command does not execute.	
Response	Acceptable	"000" [CR]
	Unacceptable	"Error Code" [CR]

8.7.4 CF_VPOS Command

Command	"CF_VPOS_%1" [CR]	
%1	"015" ----- +15 "014" ----- +14 : "002" ----- +2 "001" ----- +1 "000" ----- ±0 " - 01" ----- - 1 " - 02" ----- - 2 : " - 14" ----- - 14 " - 15" ----- - 15 "UP" ----- Increment setting value of Vposition by 1 "DN" ----- Decrement setting value of Vposition by 1	
Details	Set V Position (Available only in the normal Power ON status) *When the screen mode is not in "Custom", projector changes image mode into Custom by receiving this command. *When there is no signal detected, projector returns 101 and the command does not execute.	
Response	Acceptable	"000" [CR]
	Unacceptable	"Error Code" [CR]

8.7.5 CF_HSCALE Command

Command	"CF_HSCALE_%1" [CR]	
%1	"035" ----- +35 "031" ----- +31 : "002" ----- +2 "001" ----- +1 "000" ----- ±0 " - 01" ----- - 1 " - 02" ----- - 2 : " - 31" ----- - 31 " - 32" ----- - 32 "UP" ----- Increment setting value of Hscale by 1 "DN" ----- Decrement setting value of Hscale by 1	
Details	Set Hscale (Available only in the normal Power ON status) *When the screen mode is not in "Custom", projector changes image mode into Custom by receiving this command. *When there is no signal detected, projector returns 101 and the command does not execute.	
Response	Acceptable	"000" [CR]
	Unacceptable	"Error Code" [CR]

8.7.6 CF_HPOS Command

Command	"CF_HPOS_%1" [CR]	
%1	"015" ----- +15 "014" ----- +14 : "002" ----- +2 "001" ----- +1 "000" ----- ±0 " - 01" ----- - 1 " - 02" ----- - 2 : " - 14" ----- - 14 " - 15" ----- - 15 "UP" ----- Increment setting value of Hposition by 1 "DN" ----- Decrement setting value of Hposition by 1	
Details	Set H Position (Available only in the normal Power ON status) *When the screen mode is not in "Custom", projector changes image mode into Custom by receiving this command. *When there is no signal detected, projector returns 101 and the command does not execute.	
Response	Acceptable	"000" [CR]
	Unacceptable	"Error Code" [CR]

8.7.7 CF_KEYSTONE Command

Command	"CF_KEYSTONE_%1" [CR]	
%1	"UP" ----- Correct Keystone distortion to reduce upper part of image "FUP" ----- Correct Keystone distortion to reduce upper part by 2 steps "DN" ----- Correct Keystone distortion to reduce lower part of image "FDN" ----- Correct Keystone distortion to reduce lower part by 2 steps "LEFT" ----- Correct Keystone distortion to reduce left part of image "FLFT" ----- Correct Keystone distortion to reduce left part by 2 steps "RIGHT" ----- Correct Keystone distortion to reduce right part of image "FRGT" ----- Correct Keystone distortion to reduce right part by 2 steps "RST" ----- Return Keystone and Corner to default setting	
Details	Change level of Keystone distortion correction (Available only in the normal Power ON status). When reached the limit of the correction level, projector accepts the command but does not execute it. Receiving this command immediately invokes the operation. When trying to set the value beyond available range, error code "201" is returned and the operation is not executed. Example 1: When the correction level of the right part has reached its upper limit and then the command "RIGHT" is received Example 2: When the upper part correction allows only another step, and then the command "FUP" is received.	
Response	Acceptable	"000" [CR]
	Unacceptable	"Error Code" [CR]

8.7.8 CF_KYSTONMODE Command

Command	"CF_KYSTNMODE_%1" [CR]	
%1	"STR" ----- Set Keystone store mode to Store "RST" ----- Set Keystone store mode to Reset	
Details	Set Keystone or Corner store mode (Available only in the normal Power ON status)	
Response	Acceptable	"000" [CR]
	Unacceptable	"Error Code" [CR]

8.7.9 CF_CORNER-UL Command

Command	"CF_CORNER-UL_%1"[CR]	
%1	"UP" ----- Correct the horizontal line of image upwards "DN" ----- Correct the horizontal line of image downwards "LEFT" ----- Correct the vertical line of image to the left "RIGHT" ----- Correct the vertical line of image to the right	
Details	Correct the top-left corner of the image. (Available in normal Power ON status only) The correction starts with the first command received Projector returns error code ""101 and no operation is made when exceeding the correction limit,	
Response	Acceptable	"000"[CR]
	Unacceptable	"Error Code"[CR]

8.7.10 CF_CORNER-UR Command

Command	"CF_CORNER-UR_%1"[CR]	
%1	"UP" ----- Correct the horizontal line of image upwards "DN" ----- Correct the horizontal line of image downwards "LEFT" ----- Correct the vertical line of image to the left "RIGHT" ----- Correct the vertical line of image to the right	
Details	Correct the top-right corner of the image. (Available in normal Power ON status only) The correction starts with the first command received Projector returns error code ""101 and no operation is made when exceeding the correction limit,	
Response	Acceptable	"000"[CR]
	Unacceptable	"Error Code"[CR]

8.7.11 CF_CORNER-DL Command

Command	"CF_CORNER-DL%1"[CR]	
%1	"UP" ----- Correct the horizontal line of image upwards "DN" ----- Correct the horizontal line of image downwards "LEFT" ----- Correct the vertical line of image to the left "RIGHT" ----- Correct the vertical line of image to the right	
Details	Correct the bottom-left corner of the image. (Available in normal Power ON status only) The correction starts with the first command received Projector returns error code ""101 and no operation is made when exceeding the correction limit,	
Response	Acceptable	"000"[CR]
	Unacceptable	"Error Code"[CR]

8.7.12 CF_CORNER-DR Command

Command	"CF_CORNER-DR_%1"[CR]	
%1	"UP" ----- Correct the horizontal line of image upwards "DN" ----- Correct the horizontal line of image downwards "LEFT" ----- Correct the vertical line of image to the left "RIGHT" ----- Correct the vertical line of image to the right	
Details	Correct the bottom-right corner of the image. (Available in normal Power ON status only) The correction starts with the first command received Projector returns error code ""101 and no operation is made when exceeding the correction limit,	
Response	Acceptable	"000"[CR]
	Unacceptable	"Error Code"[CR]

8.7.13 CF_CORNERTESTPAT Command

Command	"CF_CORNERTESTPAT_%1"[CR]	
%1	"RED" -----Select Red "WHITE" ----- Select White "BLUE" ----- Select Blue "OFF" ----- Select Off	
Details	Display test patterns for Corner correction. (Available in normal Power ON status only) The value set by this command is stored in EEPROM and its setting is effective even after ALL is OFF.	
Response	Acceptable	"000"[CR]
	Unacceptable	"Error Code"[CR]

8.7.14 CF_CEIL Command

Command	"CF_CEIL_%1" [CR]	
%1	"ON" ----- Set Ceiling to ON. "OFF" ----- Set Ceiling to OFF.	
Details	Set/Cancel Ceiling mode.(Available only in the normal Power ON status) The status set by this command is stored in EEPROM and setting remains effective even after the power is turned to ALL OFF status.	
Response	Acceptable	"000" [CR]
	Unacceptable	"Error Code" [CR]

8.7.15 CF_REAR Command

Command	"CF_REAR_%1" [CR]	
%1	"ON" ----- Set Rear to ON. "OFF" ----- Set Rear to OFF.	
Details	Set/Cancel Rear mode (Available only in the normal Power ON status) When Rear is ON, projected image is left/right reversed. The status set by this command is stored in EEPROM and setting remains effective even after the power is turned to ALL OFF status.	
Response	Acceptable	"000" [CR]
	Unacceptable	"Error Code" [CR]

8.7.16 CF_SCREENASPECT Command

Command	"CF_SCREENASPECT_%1"[CR]	
%1	"43MODE" Select 4:3 mode "169MODE" Select 16:9 mode "1610MODE" Select 16:10 mode	
Details	Set Screen aspect mode. This command is available in normal Power ON status.	
Response	Acceptable	"000"[CR]
	Unacceptable	"Error Code"[CR]

8.8 Lamp Command

8.8.1 CF_LAMPH Command

Command	"CF_LAMPH_%1" [CR]	
%1	"RST"	
Details	Reset lamp running time (Available only in the normal Power ON status)	
Response	Acceptable	"000" [CR]
	Unacceptable	"Error Code" [CR]

8.8.2 CF_LAMPMODE Command

Command	"CF_LAMPMODE_%1" [CR]	
%1	"NORMAL" ----- Set Lamp status to Normal mode "ECO1" ----- Set Lamp status to Eco1 mode "ECO2" ----- Set Lamp status to Eco2 mode "AUTO" ----- Set Lamp status to Auto mode	
Details	Select Lamp mode (Available only in the normal Power ON status) The value set by this command is stored in EEPROM and the setting remains effective after the power is turned to ALL OFF status.	
Response	Acceptable	"000" [CR]
	Unacceptable	"Error Code" [CR]

8.9 Setting Command

8.9.1 CF_LANG Command

Command	"CF_LANG_%1" [CR]	
%1	"ENG" ----- Select ENGLISH "DEU" ----- Select German "FRA" ----- Select French "ITA" ----- Select Italian "ESP" ----- Select Spanish "POR" ----- Select Portuguese "NED" ----- Select Dutch "SVE" ----- Select Swedish "JPN" ----- Select Japanese "CHI" ----- Select Chinese "KOR" ----- Select Korean "RUS" ----- Select Russian	
Details	Set language for OSD (Available only in the normal Power ON status) The language set by this command is stored in EEPROM and setting remains effective even after the power is turned to ALL OFF status.	
Response	Acceptable	"000" [CR]
	Unacceptable	"Error Code" [CR]

8.9.2 CF_MENUPOSITION Command

Command	"CF_MENUPOSITION_%1" [CR]	
%1	"UP" ----- Move Menu position to upper side. "DN" ----- Move Menu position to lower side. "LEFT" ----- Move Menu position to left side. "RIGHT" ----- Move Menu position to right side.	
Details	Move Menu position. (Valid only when in the normal Power ON status.) This function is worked from the first reception of Command. * When setting beyond the area of movement is carried out, return "101" [CR] and the command is not executed. Ex.) When movement to right side has already reached limit; and "RIGHT" is received.	
Response	Acceptable	"000" [CR]
	Unacceptable	"Error Code" [CR]

8.9.3 CF_MENUSIZE Command

Command	"CF_MENUSIZE_%1" [CR]	
%1	"NORMAL" ----- Select Menu size to Normal. "DOUBLE" ----- Select Menu size to Double.	
Details	Select Menu size. (Valid only when in the normal Power ON status.) The status set by this command is stored in EEPROM and the setting remains even after the power is turned to ALL OFF status.	
Response	Acceptable	"000" [CR]
	Unacceptable	"Error Code" [CR]

8.9.4 CF_INPUTBUTTON Command

Command	"CF_INPUTBUTTON_%1" [CR]	
%1	"MODE1" ----- Set Input button operation to MODE1 "MODE2" ----- Set Input button operation to MODE2 "MODE3" ----- Set Input button operation to MODE3	
Details	Set Input button operation mode. (Available in normal Power ON status only). The status set by this command is stored in EEPROM and its setting is effective after ALL is OFF	
Response	Acceptable	"000" [CR]
	Unacceptable	"Error Code" [CR]

8.9.5 CF_DISP Command

Command	"CF_DISP_%1" [CR]	
%1	"ON" ----- Set Display to On "CNTDWNNOFF" ----- Set Display to Count down Off "OFF" ----- Set Display to Off "UP" ----- The same operation as pressing Up key or Left key "DN" -----The same operation as pressing Down key or Right key	
Details	Set Display mode.(Available only in the normal Power ON status) The value set by this command is stored in EEPROM and setting remains effective even after the power is turned to ALL OFF status.	
Response	Acceptable	"000" [CR]
	Unacceptable	"Error Code" [CR]

8.9.6 CF_BACKGND Command

Command	"CF_BACKGND_%1" [CR]	
%1	"BLUE" ----- Select Blue Back "USER" ----- Select User "BLACK" ----- Select Black Back "UP" ----- The same operation as pressing Up key or Left key "DN" -----The same operation as pressing Down key or Right key	
Details	Set Screen status for no signal. (Available only in the normal Power ON status) The status set by this command is stored in EEPROM and the setting remains even after the power is turned to ALL OFF status. *When %1="USER" is received, error code "101" is returned, in the case of Capture non-practice.	
Response	Acceptable	"000" [CR]
	Unacceptable	"Error Code" [CR]

8.9.7 CF_LOGO Command

Command	"CF_LOGO_%1_%2" [CR]	
%1	"0000 – 9999" ----- Directly set Logo PIN code	
%2	"OFF" ----- Cancel Logo display "DFLT" ----- Select Logo of Factory Default "USER" ----- Select User "UP" ----- The same operation as pressing Up key or Left key "DN" ----- The same operation as pressing Down key or Right key	
Details	Set Logo mode.(Available only in the normal Power ON status) The status set by this command is stored in EEPROM and setting remains effective even after the power is turned to ALL OFF status. Set Logo PIN code in %1. When Logo Lock is enabled: PIN code is matched ----- Command is valid (Acceptable) PIN code is mismatched----- Command is invalid (Error code "102") PIN code is beyond %1 available range -----Command is invalid (Error code"?)") When Logo Lock is disabled: PIN code is within %1 available range ----- Command is valid (Acceptable) PIN code is out of %1 available range ----- Command is invalid (Error code "?") Note: When Logo Lock is enabled, matching Logo PIN code switches Logo but Logo Lock is not cancelled (Lock status is kept). *When %2="USER" is received, error code "101" is returned, in the case of Capture non-practice.	
Response	Acceptable	"000" [CR]
	Unacceptable	"Error Code" [CR]

8.9.8 CF_PIP Command

Command	"CF_PIP_%1" [CR]	
%1	"OFF" ----- Select Off "USER1" ----- Select User1 "USER2" ----- Select User2 "USER3" ----- Select User3 "USER4" ----- Select User4 "USER5" ----- Select User5	
Details	Set "Picture in Picture" status.(Available only in the normal Power ON status) The status set by this command is stored in EEPROM and the setting remains even after the power is turned to ALL OFF status.	
Response	Acceptable	"000" [CR]
	Unacceptable	"Error Code" [CR]

8.9.9 CF_PIPMODE Command

Command	"CF_PIPMODE_%1" [CR]	
%1	"PINP" ----- Select P in P mode "PBYP" ----- Select P by P mode	
Details	Set mode in "Picture in Picture". (Available only in the normal Power ON status)	
Response	Acceptable	"000" [CR]
	Unacceptable	"Error Code" [CR]

8.9.10 CF_PIPMAININP Command

Command	"CF_PIPMAININP_%1_%2" [CR]	
%1	"1" ----- Select Input 1 "2" ----- Select Input 2 "3" ----- Select Input 3	
%2	"DIGITAL" ----- Select DVI Input "ANALOG" ----- Select Analog Input "VIDEO" ----- Select Composite Video Input "S-VIDEO" ----- Select S-Video input "YPBPR" ----- Select Y, Pb/Cb, Pr/Cr Input "YCBCR" ----- Select Y, Pb/Cb, Pr/Cr Input "SCART" ----- Select SCART Input "HDCP" ----- Select HDCP Input "HDMI" ----- Select HDMI Input	
Details	Select input and source of Main picture of "Picture in Picture". (Valid only when in the normal Power ON status.)	
Response	Acceptable	"000" [CR]
	Unacceptable	"Error Code" [CR]

8.9.11 CF_PIPSUBINPU Command

Command	"CF_PIPSUBINP_%1_%2" [CR]	
%1	"1" ----- Select Input 1 "2" ----- Select Input 2 "3" ----- Select Input 3	
%2	"DIGITAL" ----- Select DVI Input "ANALOG" ----- Select Analog Input "VIDEO" ----- Select Composite Video Input "S-VIDEO" ----- Select S-Video input "YPBPR" ----- Select Y, Pb/Cb, Pr/Cr Input "YCBCR" ----- Select Y, Pb/Cb, Pr/Cr Input "SCART" ----- Select SCART Input "HDCP" ----- Select HDCP Input "HDMI" ----- Select HDMI Input	
Details	Select input and source of Sub picture of "Picture in Picture". (Valid only when in the normal Power ON status.)	
Response	Acceptable	"000" [CR]
	Unacceptable	"Error Code" [CR]

8.9.12 CF_PIPSIZE Command

Command	"CF_PIPSIZE_%1_%2" [CR]	
%1	"1" ----- Set main picture size to 10% "2" ----- Set main picture size to 20% "3" ----- Set main picture size to 30% "4" ----- Set main picture size to 40% "5" ----- Set main picture size to 50% "6" ----- Set main picture size to 60% "7" ----- Set main picture size to 70% "8" ----- Set main picture size to 80% "9" ----- Set main picture size to 90% "10" ----- Set main picture size to 100%	
%2	"1" ----- Set sub picture size to 10% "2" ----- Set sub picture size to 20% "3" ----- Set sub picture size to 30% "4" ----- Set sub picture size to 40% "5" ----- Set sub picture size to 50%	
Details	Set display size of "Picture in Picture".	

	(Valid only when in the normal Power ON status.) *When "Picture in Picture" is set to Off, return "101" [CR]	
Response	Acceptable	"000" [CR]
	Unacceptable	"Error Code" [CR]

8.9.13 CF_PIPPOSITION Command

Command	"CF_PIPPOSITION_%1" [CR]	
%1	"POS1" ----- Move main picture position to up "POS2" ----- Move main picture position to down "POS3" ----- Move main picture position to left "POS4" ----- Move main picture position to right "POS5" ----- Move sub picture position to up "POS6" ----- Move sub picture position to down "POS7" ----- Move sub picture position to left "POS8" ----- Move sub picture position to right	
Details	Set position of "Picture in Picture". (Valid only when in the normal Power ON status.) This function is worked from the first reception of Command. * When setting beyond the area of movement is carried out, return Error Code "101" [CR] and the command is not executed. Ex.) When movement to right side has already reached limit; and "RIGHT" is received. *When "Picture in Picture" is set to Off, return "101" [CR]	
Response	Acceptable	"000" [CR]
	Unacceptable	"Error Code" [CR]

8.9.14 CF_PIPFRAMELOCK Command

Command	"CF_PIPFRAMELOCK_%1" [CR]	
%1	"MAIN" ----- Set to main picture "SUB" ----- Set to sub picture	
Details	Set Frame lock of "Picture in Picture". (Valid only when in the normal Power ON status.)	
Response	Acceptable	"000" [CR]
	Unacceptable	"Error Code" [CR]

8.9.15 CF_PIPSTORE Command

Command	"CF_PIPSTORE_%1" [CR]	
%1	"USER1"---- Store current setting status to User 1 "USER2"---- Store current setting status to User 2 "USER3"---- Store current setting status to User 3 "USER4"---- Store current setting status to User 4 "USER5"---- Store current setting status to User 5	
Details	Store setting status of "Picture in Picture". (Valid only when in the normal Power ON status.) This command operates the same way as storing to User1-5 in "Picture in Picture" Menu. The status set by this command is stored in EEPROM and the setting remains even after the power is turned to ALL OFF status.	
Response	Acceptable	"000" [CR]
	Unacceptable	"Error Code" [CR]

8.9.16 CF_PIPMODEFREE Command

Command	"CF_PIPMODEFREE_%1" [CR]	
%1	"USER1" ----- Set User1 to Free status "USER 2" ----- Set User2 to Free status "USER 3" ----- Set User3 to Free status "USER 4" ----- Set User4 to Free status "USER 5" ----- Set User5 to Free status	
Details	Delete the data registered in Custom User1–5 and returns it to Free status. This command operates the same way as setting Mode free for User1-5 in "Picture in Picture" Menu. (Available only in the normal Power ON status) *When there is only one user mode of stored state, return "101" [CR]	
Response	Acceptable	"000" [CR]
	Unacceptable	"Error Code" [CR]

8.9.17 CF_PIPRST Command

Command	"CF_PIPRST_%1" [CR]	
%1	"RST" ----- Reset current setting status	
Details	Reset current setting status of "Picture in Picture". (Available only in the normal Power ON status)	
Response	Acceptable	"000" [CR]
	Unacceptable	"Error Code" [CR]

8.9.18 EDGEBLENDING Command

Command	"CF_EDGEBLENDING_%1" [CR]	
%1	"ON" ----- Set Edge blending to On "OFF" ----- Set Edge blending to Off	
Details	Set Edge blending.(Available only in the normal Power ON status) The status set by this command is stored in EEPROM and setting remains effective even after the power is turned to ALL OFF status.	
Response	Acceptable	"000" [CR]
	Unacceptable	"Error Code" [CR]

8.9.19 BLEND Command

Command	"CF_BLEND_%1_%2" [CR]	
%1	"LEFT" ----- Left side "RIGHT" ----- Right side "TOP" ----- Upper side "BOTTOM" ----- Lower side	
%2	"000"-"1024"----- Directly specify value of direction of %1 *Value of upper limit changes by choice of %1 Left ----- 000~0960 Right ----- 000~0960 Top ----- 000~540 Bottom ----- 000~540	
Details	Set the value of Width for direction specified by Edge blending %1. (Available only in the normal Power ON status) The status set by this command is stored in EEPROM and setting remains effective even after the power is turned to ALL OFF status.	
Response	Acceptable	"000" [CR]
	Unacceptable	"Error Code" [CR]

8.9.20 CF_BLENDSTART Command

Command	"CF_BLENDSTART_%1_%2" [CR]	
%1	"LEFT" ----- Left side "RIGHT" ----- Right side "TOP" ----- Upper side "BOTTOM" ----- Lower side	
%2	"000"-"1024" ----- Directly specify value of direction of %1 *Value of upper limit changes by choice of %1 Left ----- 000~0960 Right ----- 000~0960 Top ----- 000~540 Bottom ----- 000~540	
Details	Set the value of Start (Left/Right/Top/Bottom) for direction specified by Edge blending %1. (Available only in the normal Power ON status) The status set by this command is stored in EEPROM and setting remains effective even after the power is turned to ALL OFF status.	
Response	Acceptable	"000" [CR]
	Unacceptable	"Error Code" [CR]

8.9.21 CF_BLENDBLK Command

Command	"CF_BLENDBLK_%1_%2" [CR]	
%1	"R" ----- Red "G" ----- Green "B" ----- Blue	
%2	"-127" ~ "0127" ----- Directly specify value of color of %1	
Details	Set value of color specified by Edge blending %1. (Available only in the normal Power ON status) The status set by this command is stored in EEPROM and setting remains effective even after the power is turned to ALL OFF status.	
Response	Acceptable	"000" [CR]
	Unacceptable	"Error Code" [CR]

8.9.22 CF_BLENDBLKALL Command

Command	"CF_BLENDBLKALL_%1" [CR]	
%1	"UP" ----- Increment value of Black level(R/G/B) by 1 "DN" ----- Decrement value of Black level(R/G/B) by 1	
Details	Set value of all of Black level of Edge blending. (Available only in the normal Power ON status) The status set by this command is stored in EEPROM and setting remains effective even after the power is turned to ALL OFF status.	
Response	Acceptable	"000" [CR]
	Unacceptable	"Error Code" [CR]

8.9.23 BLENDTESTPAT Command

Command	"CF_BLENDTESTPAT_%1" [CR]	
%1	"ON" ----- Set to On "OFF" ----- Set to Off	
Details	Set Test pattern of Edge blending. (Available only in the normal Power ON status) The status set by this command is stored in EEPROM and setting remains effective even after the power is turned to ALL OFF status.	

Response	Acceptable	"000" [CR]
	Unacceptable	"Error Code" [CR]

8.9.24 CF_BLENDRST Command

Command	"CF_BLENDRST_%1" [CR]	
%1	"RST" ----- Reset current setting status	
Details	Reset current setting status of Edge blending. (Available only in the normal Power ON status)	
Response	Acceptable	"000" [CR]
	Unacceptable	"Error Code" [CR]

8.9.25 CF_BLENDMENUOFF Command

Command	"CF_BLENDMENUOFF_%1" [CR]	
%1	"SET" ----- Temporarily hide Edge blending menu and edge line "RST" ----- Display Edge blending menu and edge line	
Details	Set Menu off function of Edge blending. (Available only in the normal Power ON status)	
Response	Acceptable	"000" [CR]
	Unacceptable	"Error Code" [CR]

8.9.26 CF_BLENDMENU Command

Command	"CF_BLENDMENU_%1" [CR]	
%1	"ON" ----- Display Edge blending menu and edge line. "OFF" ----- Set Edge blending menu and edge line undisplayed.	
Details	Set Edge blending menu and edge line displayed or undisplayed. (Available only in the normal Power ON status)	
Response	Acceptable	"000" [CR]
	Unacceptable	"Error Code" [CR]

8.9.27 CF_COLORMATCHING Command

Command	"CF_COLORMATCHING_%1" [CR]	
%1	"ON" ----- Set to On "OFF" ----- Set to Off	
Details	Set status of Color matching. (Available only in the normal Power ON status) The status set by this command is stored in EEPROM and setting remains effective even after the power is turned to ALL OFF status.	
Response	Acceptable	"000" [CR]
	Unacceptable	"Error Code" [CR]

8.9.28 CMMSXY Command

Command	"CF_CMMSXY_%1_%2_%3" [CR]	
%1	"RED" ----- Set value of Red "GREEN" ----- Set value of Green "BLUE" ----- Set value of Blue	
%2	"0000" – "1000" ----- Directly specify "x" value of color of %1	
%3	"0000" – "1000" ----- Directly specify "y" value of color of %1	

Details	Set "x","y" value of Measured of Color matching. (Available only in the normal Power ON status)	
Response	Acceptable	"000" [CR]
	Unacceptable	"Error Code" [CR]

8.9.29 CF_CMMSL Command

Command	"CF_CMMSL_%1_%2" [CR]	
%1	"RED" ----- Set value of Red "GREEN" ----- Set value of Green "BLUE" ----- Set value of Blue	
%2	"0000" – "1000" ----- Directly specify "L" value of color of %1	
Details	Set "L" value of Measured of Color matching. (Available only in the normal Power ON status)	
Response	Acceptable	"000" [CR]
	Unacceptable	"Error Code" [CR]

8.9.30 CF_CMTGXY Command

Command	"CF_CMTGXY_%1_%2_%3" [CR]	
%1	"RED" ----- Set value of Red "GREEN" ----- Set value of Green "BLUE" ----- Set value of Blue "WHITE" ----- Set value of White "CYAN" ----- Set value of Cyan "MAGENTA" ----- Set value of Magenta "YELLOW" ----- Set value of Yellow	
%2	"0000" – "1000" ----- Directly specify "x" value of color of %1	
%3	"0000" – "1000" ----- Directly specify "y" value of color of %1	
Details	Set "x","y" value of Target of Color matching. (Available only in the normal Power ON status)	
Response	Acceptable	"000" [CR]
	Unacceptable	"Error Code" [CR]

8.9.31 CF_CMTGG Command

Command	"CF_CMTGG_%1_%2" [CR]	
%1	"RED" ----- Set value of Red "GREEN" ----- Set value of Green "BLUE" ----- Set value of Blue "WHITE" ----- Set value of White "CYAN" ----- Set value of Cyan "MAGENTA" ----- Set value of Magenta "YELLOW" ----- Set value of Yellow	
%2	"0000" – "1000" ----- Directly specify "g" value of color of %1	
Details	Set "g" value of Target of Color matching. (Available only in the normal Power ON status)	
Response	Acceptable	"000" [CR]
	Unacceptable	"Error Code" [CR]

8.9.32 CF_CMAUTOTESTPAT Command

Command	"CF_CMAUTOTESTPAT_%1" [CR]	
---------	----------------------------	--

%1	"ON" ----- Set to On "OFF" ----- Set to Off	
Details	Set Auto test pattern of Color matching. (Available only in the normal Power ON status)	
Response	Acceptable	"000" [CR]
	Unacceptable	"Error Code" [CR]

8.9.33 CF_CMRST Command

Command	"CF_CMRST_%1" [CR]	
%1	"CMRST" ----- Reset setting of Color matching "ADCRST" ----- Reset setting of Advanced color matching	
Details	Reset setting of Color matching. (Available only in the normal Power ON status)	
Response	Acceptable	"000" [CR]
	Unacceptable	"Error Code" [CR]

8.9.34 CF_CMSTORE Command

Command	"CF_CMSTORE_%1" [CR]	
%1	"CMSTR" ----- Store setting of Color matching "ADCSTR" ----- Store setting of Advanced color matching	
Details	Store setting of Color matching. (Available only in the normal Power ON status)	
Response	Acceptable	"000" [CR]
	Unacceptable	"Error Code" [CR]

8.9.35 CMMSTESTPAT Command

Command	"CF_CMMSTESTPAT_%1" [CR]	
%1	"RED" ----- Display Red "GREEN" ----- Display Green "BLUE" ----- Display Blue "OFF" ----- Do not show test pattern display	
Details	Display Test pattern of Measured of Color matching. (Available only in the normal Power ON status)	
Response	Acceptable	"000" [CR]
	Unacceptable	"Error Code" [CR]

8.9.36 CF_CMTGTESTPAT Command

Command	"CF_CMTGTESTPAT_%1" [CR]	
%1	"RED" ----- Display Red "GREEN" ----- Display Green "BLUE" ----- Display Blue "WHITE" ----- Display White "CYAN" ----- Display Cyan "MAGENTA" ----- Display Magenta "YELLOW" ----- Display Yellow "OFF" ----- Do not show test pattern display	
Details	Display Test pattern of Target of Color matching. (Available only in the normal Power ON status)	
Response	Acceptable	"000" [CR]
	Unacceptable	"Error Code" [CR]

8.9.37 CF_CMFDEFAULT Command

Command	"CF_CMFDEFAULT_%1" [CR]	
%1	"RST" ----- Reset the value of Target	
Details	Return the value of Advanced color matching to Factory Default status (Available only in the normal Power ON status)	
Response	Acceptable	"000" [CR]
	Unacceptable	"Error Code" [CR]

8.9.38 CF_CMMENUOFF Command

Command	"CF_CMMENUOFF_%1" [CR]	
%1	"SET" ----- Temporarily hide Advanced color matching menu "RST" ----- Display Advanced color matching menu	
Details	Set Menu off function of Advanced color matching. (Available only in the normal Power ON status)	
Response	Acceptable	"000" [CR]
	Unacceptable	"Error Code" [CR]

8.9.39 CF_CMMENU Command

Command	"CF_CMMENU_%1" [CR]	
%1	"ON" ----- Display Advanced color matching menu "OFF" ----- Set Advanced color matching menu undisplayed.	
Details	Set Advanced color matching menu displayed or undisplayed. (Available only in the normal Power ON status)	
Response	Acceptable	"000" [CR]
	Unacceptable	"Error Code" [CR]

8.9.40 CF_HDMI SETUP Command

Command	"CF_HDMI SETUP_%1"[CR]	
%1	"NORMAL" ----- Select Normal mode "ENHANCED" ----- Select Enhanced mode	
Details	Select image mode of HDMI setup. The status set by this command is stored in EEPROM and its setting is effective after ALL is OFF This command is available in normal Power ON status.	
Response	Acceptable	"000"[CR]
	Unacceptable	"Error Code"[CR]

8.9.41 CF_FILH Command

Command	"CF_FILH_%1" [CR]	
%1	"RST" ----- Reset Filter used time	
Details	Reset used time for filter of projector	
Response	Acceptable	"000" [CR]
	Unacceptable	"Error Code" [CR]

8.9.42 CF_FILTERTIMER Command

Command	"CF_FILTERTIMER_%1" [CR]	
---------	--------------------------	--

%1	"0400" ----- Set 400 hours "0700" ----- Set 700 hours "1000" ----- Set 1000 hours "OFF" ----- Set Off(Do not warning display)	
Details	Set time to display Filter cleaning / replacement warning on screen	
Response	Acceptable	"000" [CR]
	Unacceptable	"Error Code" [CR]

8.9.43 CF_FILCTL Command

Command	"CF_FILCTL_%1" [CR]	
%1	"ROLL" ----- Execute operation of scroll of filter	
Details	Execute operation of scroll of filter	
Response	Acceptable	"000" [CR]
	Unacceptable	"Error Code" [CR]

8.9.44 CF_FILSCL Command

Command	"CF_FILSCL_%1" [CR]	
%1	"RST" ----- Reset Filter scroll counter	
Details	Reset Filter scroll counter	
Response	Acceptable	"000" [CR]
	Unacceptable	"Error Code" [CR]

8.9.45 CF_FANSPEED Command

Command	"CF_FANSPEED_%1" [CR]	
%1	"MAX" ----- Select maximum fan speed "NOR" ----- Select normal fan speed	
Details	Switch Fan Control Speed mode.(Available only in the normal Power ON status) The status set by this command is stored in EEPROM and setting remains effective even after the power is turned to ALL OFF status.	
Response	Acceptable	"000" [CR]
	Unacceptable	"Error Code" [CR]

8.9.46 CF_SIMPLEMODE Command

Command	"CF_SIMPLEMODE_%1" [CR]	
%1	"ON" ----- Set Simple mode to ON "OFF" ----- Set Simple mode to OFF	
Details	Set Simple mode.(Available only in the normal Power ON status) The status set by this command is stored in EEPROM and setting remains effective even after the power is turned to ALL OFF status.	
Response	Acceptable	"000" [CR]
	Unacceptable	"Error Code" [CR]

8.9.47 CF_RCODE Command

Command	"CF_RCODE_%1" [CR]	
%1	"001" ----- Select Code 1 "002" ----- Select Code 2 "003" ----- Select Code 3	

	"004" ----- Select Code 4 "005" ----- Select Code 5 "006" ----- Select Code 6 "007" ----- Select Code 7 "008" ----- Select Code 8 "UP" ----- The same operation as pressing Up key or Left key "DN" -----The same operation as pressing Down key or Right key	
Details	Select Code of Remote Control (Available only in the normal Power ON status) The status set by this command is stored in EEPROM and setting remains effective even after the power is turned to ALL OFF status.	
Response	Acceptable	"000" [CR]
	Unacceptable	"Error Code" [CR]

8.9.48 CF_RSENS Command

Command	"CF_RSENS_%1" [CR]	
%1	"BOTH" ----- Select both front and back receiver of projector "FRONT" ----- Select only front receiver of projector "BACK" ----- Select only back receiver of projector "UP" ----- The same operation as pressing Up key or Left key "DN" -----The same operation as pressing Down key or Right key	
Details	Select location of infrared remote receiver of remote control (Available only in the normal Power ON status) The status set by this command is stored in EEPROM and setting remains effective even after the power is turned to ALL OFF status.	
Response	Acceptable	"000" [CR]
	Unacceptable	"Error Code" [CR]

8.9.49 CF_P-MANE Command

Command	"CF_P-MANE_%1" [CR]	
%1	"OFF" ----- Set Power Management to Off "READY1" ----- Set Power Management to Ready1 "READY2" ----- Set Power Management to Ready2 "SHUTDOWN" ----- Set Power Management to Shut Down mode "UP" ----- The same operation as pressing Up key or Left key "DN" -----The same operation as pressing Down key or Right key	
Details	Set/Cancel Power Management (Available only in the normal Power ON status) The status set by this command is stored in EEPROM and setting remains effective even after the power is turned to ALL OFF status.	
Response	Acceptable	"000" [CR]
	Unacceptable	"Error Code" [CR]

8.9.50 CF_P-MANETIME Command

Command	"CF_P-MANETIME_%1" [CR]	
%1	"01" - "30" ---- Directly specify setting time by the minute "UP" ----- Increment value by 1 (Switched in 01→02→ --- → 30 → 01 order) "DN" ----- Decrement value by 1 (Switched in 30→29→ --- → 01 → 30 order)	
Details	Set time of Power Management time (Available only in the normal Power ON status) The status set by this command is stored in EEPROM and setting remains effective even after the power is turned to ALL OFF status.	
Response	Acceptable	"000" [CR]
	Unacceptable	"Error Code" [CR]

8.9.51 CF_ON-STA Command

Command	"CF_ON-STA_%1" [CR]	
%1	"ON" ----- Set Direct on active. "OFF" ----- Set Direct on inactive. "UP" ----- The same operation as pressing Up key or Left key "DN" ----- The same operation as pressing Down key or Right key *"UP" and "DN" are exactly same operation.	
Details	Set/Cancel Direct Power On (Available only in the normal Power ON status) The status set by this command is stored in EEPROM and setting value remains effective even after the power is turned to ALL OFF status.	
Response	Acceptable	"000" [CR]
	Unacceptable	"Error Code" [CR]

8.9.52 CF_POINTER Command

Command	"CF_POINTER_%1" [CR]	
%1	"ARROW" ----- Select Arrow Pointer "FINGER" ----- Select Finger Pointer "LASER" ----- Select Dot Pointer	
Details	Select indication of Pointer. (Available only in the normal Power ON status) The status set by this command is stored in EEPROM and setting value remains effective even after the power is turned to ALL OFF status.	
Response	Acceptable	"000" [CR]
	Unacceptable	"Error Code" [CR]

8.9.53 CF_PTIMEMODE Command

Command	"CF_PTIMEMODE_%1" [CR]	
%1	"COUNTUP" ----- Set P-timer to Count up mode "COUNTDN" ----- Set P-timer to Count down mode	
Details	Select count up/down mode of P-timer. (Available only in the normal Power ON status) The status set by this command is stored in EEPROM and setting value remains effective even after the power is turned to ALL OFF status.	
Response	Acceptable	"000" [CR]
	Unacceptable	"Error Code" [CR]

8.9.54 CF_PTIMER Command

Command	"CF_PTIMER_%1" [CR]	
%1	"START" ----- Start P-timer "STOP" ----- Stop P-timer "RESTART" ----- Resume P-timer "RST" ----- Reset P-timer "EXIT" ----- Exit P-timer function	
Details	Select the status of P-timer. (Available only in the normal Power ON status)	
Response	Acceptable	"000" [CR]
	Unacceptable	"Error Code" [CR]

8.9.55 CF_PTIME Command

Command	"CF_PTIME_%1" [CR]	
---------	--------------------	--

%1	"001" – "180" ----- Directly specify setting time	
Details	Set the time for Count down mode of P-timer. (Available only in the normal Power ON status) The status set by this command is stored in EEPROM and setting value remains effective even after the power is turned to ALL OFF status.	
Response	Acceptable	"000" [CR]
	Unacceptable	"Error Code" [CR]

8.9.56 CF_KEYDIS Command

Command	"CF_KEYDIS_%1" [CR]	
%1	"NONE" ----- RC and KEY are both enabled. "RC" ----- RC is disabled. "KEY" ----- KEY is disabled.	
Details	Disable RC and/or KEY functions (Available only in the normal Power ON status)	
Response	Acceptable	"000" [CR]
	Unacceptable	"Error Code" [CR]

8.9.57 CF_PJPINCODE Command

Command	"CF_PJPINCODE_%1" [CR]	
%1	"0000 – 9999" ----- Directly specify PJ PIN code	
Details	<p>Enter PIN code to cancel PIN code lock (Available only in the normal Power ON status) PIN code can not be changed. (Only PIN code lock is canceled.)</p> <p>*When PIN code Lock is enabled: PIN code is matched ----- Command is valid (Acceptable) PIN code is mismatched ----- Command is invalid (Error code "102") PIN code is beyond %1 available range ---- Command is invalid (Error code "?")</p> <p>*When PIN code lock is canceled: PIN code is within %1 range ----- Command is valid (Acceptable) PIN code is out of %1 range ----- Command is invalid (Error code is 102)</p> <p>This command is only valid when "PJ PIN code" dialog is displayed to enter PIN code after Power is ON and Countdown is completed.</p> <p>When PIN code lock is set to "On1", it needs to send this command every time the projector is turned on.</p>	
Response	Acceptable	"000" [CR]
	Unacceptable	"Error Code" [CR]

8.9.58 CF_SHUTPROT Command

Command	"CF_SHUTPROT_%1" [CR]	
%1	"OFF" ----- RC and Side panel are both enabled. "RC" ----- RC is disabled. "KEY" ----- Side panel is disabled. "BOTH" ----- RC and Side panel are both disabled.	
Details	Set valid / invalid of Side panel or RC key on Shutter control function (Valid only when in the normal Power ON status)	
Response	Acceptable	"000" [CR]
	Unacceptable	"Error Code" [CR]

8.9.59 CF_SHUTRELEASE Command

Command	"CF_SHUTRELEASE_%1" [CR]	
%1	"ANY"-----Enable to release Shutter with any key "SHUTTER"----- Enable to release Shutter with only "SHUTTER" key	
Details	Set Release key of Shutter. (Valid only when in the normal Power ON status) The status set by this command is stored in EEPROM and setting remains effective even after the power is turned to ALL OFF status.	
Response	Acceptable	"000" [CR]
	Unacceptable	"Error Code" [CR]

8.9.60 CF_SHUTH Command

Command	"CF_SHUTH_%1" [CR]	
%1	"005"- "480"-----Specify setting time directly "UP" ----- Add 1 minute "DN" -----Decrease 1 minute	
Details	Set time of operating shutter management function. (Valid only when in the normal Power ON status) The status set by this command is stored in EEPROM and setting remains effective even after the power is turned to ALL OFF status.	
Response	Acceptable	"000" [CR]
	Unacceptable	"Error Code" [CR]

8.9.61 CF_CCAPTIONDISP Command

Command	"CF_CCAPTIONDISP_%1"[CR]	
%1	"OFF" ----- Select Off "CC1" ----- Select CC1 "CC2" ----- Select CC2 "CC3" ----- Select CC3 "CC4" ----- Select CC4	
Details	Select channel of Closed caption.(Valid only when in the normal Power ON status) The status set with this command is stored in EEPROM and its setting is effective even after ALL is OFF. Note)Closed caption is available under conditions below; Entered signal is appropriate (Video, NTSC signal of S-video) and System is fixed to NTSC.	
Response	Acceptable	"000"[CR]
	Unacceptable	"Error Code"[CR]

8.9.62 CF_CCAPTIONCOLOR Command

Command	"CF_CCAPTIONCOLOR_%1"[CR]	
%1	"COLOR" ----- Select Color "WHITE" ----- Select White	
Details	Select color of Closed caption. (Valid only when in the normal Power ON status) The status set with this command is stored in EEPROM and its setting is effective even after ALL is OFF. Note)Closed caption is available under conditions below; Entered signal is appropriate (Video, NTSC signal of S-video) and System is fixed to NTSC.	
Response	Acceptable	"000"[CR]
	Unacceptable	"Error Code"[CR]

8.9.63 CF_DELAYCTRL Command

Command	"CF_DELAYCTRL_%1" [CR]	
%1	"OFF"----- Set Video delay control to OFF "LOW"----- Set Video delay control to LOW "MID"----- Set Video delay control to MID "HIGH"----- Set Video delay control to HIGH	
Details	Select the mode of Video delay control (Valid only when in the normal Power ON status) The status set by this command is stored in EEPROM and setting remains effective even after the power is turned to ALL OFF status.	
Response	Acceptable	"000" [CR]
	Unacceptable	"Error Code" [CR]

8.9.64 CF_TESTPAT Command

Command	"CF_TESTPAT_%1" [CR]	
%1	"COLOR" ----- Display Color bar "GRAD1" ----- Display 16step(white→black) "GRAD2" ----- Display 16step(white←black) "GRAD3" ----- Display 16step(white↓black) "GRAD4" ----- Display 16step(white↑black) "WHITE" ----- Display all white "BLACK" ----- Display all black "CROSS" ----- Display Cross "OFF" -----Do not show test pattern display	
Details	Execute test pattern display. (Available only in the normal Power ON status)	
Response	Acceptable	"000" [CR]
	Unacceptable	"Error Code" [CR]

8.9.65 CF_FDEFAULT Command

Command	"CF_FDEFAULT_%1" [CR]	
%1	"RST"	
Details	Reset to Factory Default setting (Available only in the normal Power ON status)	
Response	Acceptable	"000" [CR]
	Unacceptable	"Error Code" [CR]

8.10 Other Commands

8.10.1 CF_KEYEMU Command

Command	"CF_KEYEMU_%1" [CR]	
%1	<p>"RIGHT" ----- Move Pointer rightward in On-Screen Display Menu "LEFT" ----- Move Pointer leftward in On-Screen Display Menu "UP" ----- Move Pointer to upward On-Screen Display Menu "DN" ----- Move Pointer to downward in On-Screen Display Menu "SELECT" ----- The same operation as "SELECT" button of RC "AUTOPC" ----- Execute Auto PC Adj. operation "LENSSHIFT" ----- Return the Lens to center position</p>	
Details	<p>This command is behaving the same as corresponding keys of Projector. Once Auto PC adj. is started with "AUTOPC" command, it does not stop with receiving the command another time.</p> <p>*When transmit command of CF_KEYEMU parameter - When User menu is displayed: function is carried out with having displayed User menu. - When User menu isn't displayed: error code "000" is returned, function is non-practice.</p> <p>* "101" is not returned even if a command of CF_KEYEMU is transmitted when cursor moves to the item which cannot toggle at an edge of the main menu.</p> <p>EX): Display main menu, and move to second menu of Image adj. Move a cursor to "Quit" position, and transmit a command of KEYEMU_DN. Then a cursor doesn't toggle and "000" is returned.</p> <p>*When transmit command of CF_KEYEMU AUTOPC - When practice of Auto pc adj is possible: Function is practice, "000" is returned. - When practice of Auto pc adj is impossible: display exclamation mark, "000" is returned.</p>	
Response	Acceptable	"000" [CR]
	Unacceptable	"Error Code" [CR]

8.10.2 CF_MENU Command

Command	"CF_MENU_%1" [CR]	
%1	<p>"ON" ----- Display On-Screen Display Menu "OFF" ----- Hide On-Screen Display Menu</p>	
Details	<p>Set On-Screen Display mode. (Available only in the normal Power ON status)</p>	
Response	Acceptable	"000" [CR]
	Unacceptable	"Error Code" [CR]

8.10.3 CF_POWER Command

Command	"CF_POWER_%1" [CR]	
%1	<p>"ON" ----- Power ON "OFF" ----- Power OFF</p> <p>* Issuing another command during countdown process forced countdown operation to be terminated.</p> <p>* Error Code is returned in some projector statuses, which indicates the command is impossible to be executed. (See [8.3] for details)</p> <p>* Returning the response "000" [CR] (acceptable) does not always mean that the status has already changed to Power ON. Ex) When the temperature approaches abnormal status after returning "000" [CR] to the command CF_POWER ON. Therefore, to get the projector status requires using Status Read command.</p>	
Details	Set Power to ON/OFF	
Response	Acceptable	"000" [CR]
	Unacceptable	"Error Code" [CR]

8.10.4 CF_FREEZE Command

Command	"CF_FREEZE_%1" [CR]	
%1	<p>"ON" ----- Set Freeze to ON. "OFF" ----- Set Freeze to OFF. "UP" ----- Switch between ON and OFF. "DN" ----- Switch between ON and OFF. * The same operation for "UP" and "DN" as this model has only "ON" / "OFF".</p>	
Details	Set / Cancel Freeze function. (Available only in the normal Power ON status) Receiving FREEZE_ON command when the projector is Freeze enabled, Freeze status is kept.	
Response	Acceptable	"000" [CR]
	Unacceptable	"Error Code" [CR]

8.10.5 CF_VMUTE Command

Command	"CF_VMUTE_%1" [CR]	
%1	<p>"ON" ----- Set Video Mute (Shutter Close) "OFF" ----- Cancel Video Mute (Shutter Open)</p>	
Details	Set / Cancel Video Mute. (Available only in the normal Power ON status)	
Response	Acceptable	"000" [CR]
	Unacceptable	"Error Code" [CR]

9 Status Read Command

9.1 Format

- 1) PC issues commands in format as below:

"CR_COMMAND**" [CR]**

Command: String

- 2) When projector receives the appropriate command, it returns the required data as a string.

"000_" %1 [CR]

%1: Required Data (String)

- 3) When the received data cannot be decoded, the projector returns **"?" [CR]**

9.2 Transfer Example

Get total dots of projector by Expand Serial Commands

PC → PJ: "CR_TDOTS" [CR]

PC ← PJ: "000_1344" [CR]

9.3 Operation Condition

1. Basically it should be always operated.

9.4 Image Status Read Command

9.4.1 CR_BRIGHT Command

Command	"CR_BRIGHT" [CR]	
Details	Get user controlled value of Brightness	
Response	Acceptable	"000_%1" [CR]
	%1	"000 – 063"
	Unacceptable	"Error Code" [CR]

9.4.2 CR_CONT Command

Command	"CR_CONT" [CR]	
Details	Get user controlled value of Contrast	
Response	Acceptable	"000_%1" [CR]
	%1	"000 – 063"
	Unacceptable	"Error Code" [CR]

9.4.3 CR_COLOR Command

Command	"CR_COLOR" [CR]	
Details	Get user controlled value of Color	
Response	Acceptable	"000_%1" [CR]
	%1	"000 – 063"
	Unacceptable	"Error Code" [CR]

9.4.4 CR_TINT Command

Command	"CR_TINT" [CR]	
Details	Get user controlled value of Tint	
Response	Acceptable	"000_%1" [CR]
	%1	"000 – 063"
	Unacceptable	"Error Code" [CR] --- When command is not available in the given condition (such as being selected input). "?" [CR] --- When unknown command is received

9.4.5 CR_APCTRL Command

Command	"CR_APCTRL" [CR]	
Details	Get setting status of Auto Picture Control	
Response	Acceptable	"000_%1" [CR]
	%1	"L1" ----- Operate Auto Picture Control with Level1 "L2" ----- Operate Auto Picture Control with Level2 "OFF" ----- Set Auto Picture Control OFF
	Unacceptable	"?" [CR]

9.4.6 CR_SHARP Command

Command	"CR_SHARP" [CR]	
Details	Get user controlled value of Sharpness	
Response	Acceptable	"000_%1" [CR]
	%1	"000 – 031"
	Unacceptable	"Error Code" [CR]

9.4.7 CR_GAMMA Command

Command	"CR_GAMMA" [CR]	
Details	Get user controlled value of Gamma	
Response	Acceptable	"000_%1" [CR]
	%1	"000 – 015"
	Unacceptable	"Error Code" [CR]

9.4.8 CR_WBAL-R Command

Command	"CR_WBAL-R" [CR]	
Details	Get user controlled Red value of White Balance	
Response	Acceptable	"000_%1" [CR]
	%1	"000 – 063"
	Unacceptable	"Error Code" [CR]

9.4.9 CR_WBAL-G Command

Command	"CR_WBAL-G" [CR]	
Details	Get user controlled Green value of White Balance	
Response	Acceptable	"000_%1" [CR]
	%1	"000 – 063"
	Unacceptable	"Error Code" [CR]

9.4.10 CR_WBAL-B Command

Command	"CR_WBAL-B" [CR]	
Details	Get user controlled Blue value of White Balance	
Response	Acceptable	"000_%1" [CR]
	%1	"000 – 063"
	Unacceptable	"Error Code" [CR]

9.4.11 CR_COLTEMP Command

Command	"CR_COLTEMP" [CR]	
Details	Get Color Temperature setting status	
Response	Acceptable	"000_%1" [CR]
	%1	"000" ----- Xlow "001" ----- Low "002" ----- Mid "003" ----- High "BLANK" ---- OSD Menu is blank (Neither of Xlow / Low / Mid / High)
	Unacceptable	"Error Code" [CR]

9.4.12 CR_OFFSET-R Command

Command	"CR_OFFSET-R" [CR]	
Details	Get user controlled Red value of Offset	
Response	Acceptable	"000_%1" [CR]
	%1	"000 – 063"
	Unacceptable	"Error Code" [CR]

9.4.13 CR_OFFSET-G Command

Command	"CR_OFFSET-G" [CR]	
Details	Get user controlled Green value of Offset	
Response	Acceptable	"000_%1" [CR]
	%1	"000 – 063"
	Unacceptable	"Error Code" [CR]

9.4.14 CR_OFFSET-B Command

Command	"CR_OFFSET-B" [CR]	
Details	Get user controlled Blue value of Offset	
Response	Acceptable	"000_%1" [CR]
	%1	"000 – 063"
	Unacceptable	"Error Code" [CR]

9.4.15 CR_NZRED Command

Command	"CR_NZRED" [CR]	
Details	Get Noise Reduction setting status	
Response	Acceptable	"000_%1" [CR]
	%1	"OFF" ----- Cancel Noise Reduction "ON" ----- Set Noise Reduction
	Unacceptable	"Error Code" [CR]

9.4.16 CR_PROGV Command

Command	"CR_PROGV" [CR]	
Details	Get Progressive scan setting status	
Response	Acceptable	"000_%1" [CR]
	%1	"ON" ----- Set Progressive scan On "FILM" ----- Select FILM mode "OFF" ----- Set Progressive scan Off
	Unacceptable	"Error Code" [CR]

9.4.17 CR_IMAGE Command

Command	"CR_IMAGE" [CR]	
Details	Get image setting status	
Response	Acceptable	"000_%1" [CR]
	%1	"DYNAMIC" ----- Dynamic "STAND" ----- Standard "REAL" ----- Real "NATURAL" ----- Natural "CINEMA" ----- Cinema "CUSTOM1" ----- "Image1" "CUSTOM2" ----- "Image2" "CUSTOM3" ----- "Image3" "CUSTOM4" ----- "Image4" "CUSTOM5" ----- "Image5" "CUSTOM6" ----- "Image6" "CUSTOM7" ----- "Image7" "CUSTOM8" ----- "Image8" "CUSTOM9" ----- "Image9" "CUSTOM10" ----- "Image10"
	Unacceptable	"Error Code" [CR] ----- When the command is invalid due to condition such as input source. "?" [CR] ----- When unknown command is received

9.4.18 CR_IMGGMD Command

Command	"CR_IMGGMD" [CR]	
Details	Get setting status of Standard/Real/Cinema in Image Gamma	
Response	Acceptable	"000_%1" [CR]
	%1	"DYN" ----- Dynamic "STD" ----- Standard "REL" ----- Real "NTR" ----- Natural "CNM" ----- Cinema
	Unacceptable	"Error Code" [CR]

9.4.19 CR_ADVCOL Command

Command	"CR_ADVCOL" [CR]	
Details	Get setting status of Advanced color	
Response	Acceptable	"000_%1" [CR]
	%1	"AUTO" ----- Operate Advanced color with Auto "OFF" ----- Set Advanced color OFF
	Unacceptable	"?" [CR]

9.5 PC Adjust Status Read Command

9.5.1 CR_FSYNC Command

Command	"CR_FSYNC" [CR]	
Details	Get value of Fine Sync	
Response	Acceptable	"000_%1" [CR]
	%1	"0000 – 0031"
	Unacceptable	"Error Code" [CR] --- When command is not available in the given condition (such as being selected input) "?" [CR] --- When unknown command is received

9.5.2 CR_TDOTS Command

Command	"CR_TDOTS" [CR]	
Details	Get value of Total Dots	
Response	Acceptable	"000_%1" [CR]
	%1	"mmmm" – "nnnn" (mmmm = Display area H + Position H) (nnnn = Maximum value less than 140 MHz of Dot Clock)
	Unacceptable	"Error Code" [CR] ----- When command is not available in the given condition (such as being selected input "?" [CR] ----- When unknown command is received

9.5.3 CR_CLPPHASE Command

Command	"CR_CLPPHASE" [CR]	
Details	Get value of Clamp Phase value	
Response	Acceptable	"000_%1" [CR]
	%1	"0000 – 0255"
	Unacceptable	"Error Code" [CR]

9.5.4 CR_H-POS Command

Command	"CR_H-POS" [CR]	
Details	Get value of Horizontal Position	
Response	Acceptable	"000_%1" [CR]
	%1	"0000 – nnnn" (nnnn = Total Dots – Display area H)
	Unacceptable	"Error Code" [CR] ----- When command is not available in the given condition (such as being selected input "?" [CR] ----- When unknown command is received

9.5.5 CR_V-POS Command

Command	"CR_V-POS" [CR]	
Details	Get value of Vertical Position	
Response	Acceptable	"000_%1" [CR]
	%1	"0000 – nnnn" (nnnn = Total Line – Display area V)
	Unacceptable	"Error Code" [CR] ----- When command is not available in the given condition (such as being selected input "?" [CR] ----- When unknown command is received

9.5.6 CR_DDOTS Command

Command	"CR_DDOTS" [CR]	
Details	Get value of Display Dots	
Response	Acceptable	"000_%1" [CR]
	%1	"0100 – nnnn" (nnnn = Total Dots – Position H)
	Unacceptable	"Error Code" [CR] ---- When command is not available in the given condition (such as being selected input "?" [CR] ----- When unknown command is received

9.5.7 CR_DLINE Command

Command	"CR_DLINE" [CR]	
Details	Get value of Display Line	
Response	Acceptable	"000_%1" [CR]
	%1	"0100 – nnnn" (nnnn = Total Line – Position V)
	Unacceptable	"Error Code" [CR] ---- When command is not available in the given condition (such as being selected input) "?" [CR] ----- When unknown command is received

9.5.8 CR_ORGMODE Command

Command	"CR_ORGMODE" [CR]	
Details	Get the original signal of current selected Mode that is set in PC Adj. When MODE1- 10 or EXT11-50 is not selected, get the current signal.	
Response	Acceptable	"000_%1" [CR]
	%1	<p>When input signal is PC Analog;</p> <p>"VGA1" ----- Indicates signal is VGA1 "VGA2" ----- Indicates signal is VGA2 : "XGA1" ----- Indicates signal is XGA1 : "WXGA3" ----- Indicates signal is WXGA3 "1080I60" ----- Indicates signal is 1080i60 "1080I50" ----- Indicates signal is 1080i50 "1035I" ----- Indicates signal is 10350i "720P60" ----- Indicates signal is 720p60 "720P50" ----- Indicates signal is 720p50 "575P" ----- Indicates signal is 575p "480P" ----- Indicates signal is 480p "575I" ----- Indicates signal is 575i "480I" ----- Indicates signal is 480i "1080PSF/24" ----- Indicates signal is 1080psf/24 "1080PSF/25" ----- Indicates signal is 1080psf/25 "1080PSF/30" ----- Indicates signal is 1080psf/30 "1080P24" ----- Indicates signal is 1080p24 "1080P25" ----- Indicates signal is 1080p25 "1080P30" ----- Indicates signal is 1080p30 "1080P50" ----- Indicates signal is 1080p50 "1080P60" ----- Indicates signal is 1080p60</p> <p>Note; To differentiate between 60Hz and 50Hz in 1080i and 720p, "60" or "50" is necessary to add to the parameter in this command * When input signal is not PC Analog, error code "101" is returned.</p>
	Unacceptable	"Error Code" [CR]

9.5.9 CR_PCSTORE Command

Command	"CR_PCSTORE" [CR]	
Details	Get Free or Stored status of MODE1 - 10 in PC Adjust. Data consists of 10 bytes and each byte represents MODE1-10. (F:Free, S:Stored)	
Response	Acceptable	"000_%1" [CR]
	%1	<p>"FFFFFFFF" ----- ALL Free "SFFFFFFFF" ----- Mode1 is Stored, others are Free : "FFFFFFFFS" ----- Mode10 is Stored, others are Free "SSSSSSSSSS" ----- ALL Stored</p>
	Unacceptable	"Error Code" [CR]

9.5.10 CR_SETPCADJ Command

Command	"CR_SETPCADJ" [CR]	
Details	Get PC signal for current system	
Response	Acceptable	"000_%1" [CR]
	%1	<p>When input signal is PC Analog;</p> <p>"VGA1" ----- Indicates VGA1 is selected</p> <p>"VGA2" ----- Indicates VGA2 is selected</p> <p>⋮</p> <p>"XGA1" ----- Indicates XGA1 is selected</p> <p>⋮</p> <p>"WXGA3" ----- Indicates WXGA3 is selected</p> <p>"1080P" ----- Indicates 1080p is selected</p> <p>"1080I" ----- Indicates 1080i is selected</p> <p>"1035I" ----- Indicates 10350i is selected</p> <p>"720P" ----- Indicates 720p is selected</p> <p>"575P" ----- Indicates 575p is selected</p> <p>"480P" ----- Indicates 480p is selected</p> <p>"575I" ----- Indicates 575i is selected</p> <p>"480I" ----- Indicates 480i is selected</p> <p>"1080PSF/24" ----- Indicates 1080psf/24 is selected</p> <p>"1080PSF/25" ----- Indicates 1080psf/25 is selected</p> <p>"1080PSF/30" ----- Indicates 1080psf/30 is selected</p> <p>⋮</p> <p>"MODE10" ----- Indicates Mode10 is selected</p> <p>"EXT11" ----- EXT11 is selected</p> <p>⋮</p> <p>"EXT60" ----- EXT60 is selected</p> <p>* Error Code "101" [CR] is returned for no signal.</p> <p>* When input signal is not PC Analog, error code "101" is returned.</p>
	Unacceptable	"Error Code" [CR]

9.6 Video Status Read Command

9.6.1 CR_SERSYS Command

Command	"CR_SERSYS" [CR]	
Details	<p>Get selected current signal. Auto detected signal is returned in Auto mode Only available when Input is Y,Pb/Cb,Pr/Cr, S-Video or Video. (This is not the case for PC-Analog and HDMI signals)</p>	
Response	Acceptable	"000_%1" [CR]
	%1	<p>"1080PSF/24" ----- 1080psf 24Hz "1080P60" ----- 1080p 60Hz "1080P50" ----- 1080p 50Hz "1080P30" ----- 1080p 30Hz "1080P25" ----- 1080p 25Hz "1080P24" ----- 1080p 24Hz "1080i60" ----- 1080i 60Hz , 1080psf 30Hz "1080i50" ----- 1080i 50Hz , 1080psf 25Hz "1035i" ----- 1035i "720P60" ----- 720p 60Hz "720P50" ----- 720p 50Hz "575P" ----- 575p "480P" ----- 480p "575i" ----- 575i (includes Composite signal such as PAL) "480i" ----- 480i (includes Composite signal such as NTSC) "NO_SIGNAL" ----- No signal</p> <p>*When 1080psf30 or 1080psf25 is inputted in System Auto, parameter same as 1080i60/1080i50 is returned.</p>
	Unacceptable	"101" [CR] --- When input signal is PC-Analog, PC-Digital, AV HDCP, or HDMI

9.7 Input Read Command

9.7.1 CR_INPUT Command

Command	"CR_INPUT" [CR]	
Details	Get selected INPUT No.	
Response	Acceptable	"000_%1" [CR]
	%1	"1 – 4"
	Unacceptable	"Error Code" [CR]

9.7.2 CR_SOURCE Command

Command	"CR_SOURCE" [CR]	
Details	Get selected source	
Response	Acceptable	"000_%1" [CR]
	%1	"DIGITAL" ----- RGB (PC Digital) is selected "ANALOG" ----- RGB (PC Analog) is selected "SCART" ----- RGB (Scart) is selected "HDCP" ----- RGB (AV HDCP) is selected "HDMI" ----- HDMI is selected "VIDEO" ----- Video is selected "S-VIDEO" ----- S-Video is selected "YPBPR" ----- Y,Pb/Cb,Pr/Cr is selected "NETWORK" ----- Network is selected
	Unacceptable	"Error Code" [CR] --- When command is not available in the given condition (such as being selected input) "?" [CR] ----- When unknown command is received

9.7.3 CR_SRCINP1 Command

Command	"CR_SRCINP1" [CR]	
Details	Get Source of INPUT1	
Response	Acceptable	"000_%1" [CR]
	%1	"DIGITAL" ----- in PC Digital mode "ANALOG" ----- in PC Analog mode "SCART" ----- in Scart mode "HDCP" ----- in AV HDCP mode "HDMI" ----- in HDMI mode
	Unacceptable	"Error Code" [CR]

9.7.4 CR_SRCINP2 Command

Command	"CR_SRCINP2" [CR]	
Details	Get Source of INPUT2	
Response	Acceptable	"000_%1" [CR]
	%1	"VIDEO" ----- in Video mode "YPBPR" ----- in Y,Pb/Cb,Pr/Cr mode "ANALOG" ----- in RGB mode
	Unacceptable	"Error Code" [CR]

9.7.5 CR_SRCINP3 Command

Command	"CR_SRCINP3" [CR]	
Details	Get Source of INPUT3	
Response	Acceptable	"000_%1" [CR]
	%1	"VIDEO" ----- in Video mode "S-VIDEO" ----- in S-video mode "YPBPR" ----- in Y,Pb/Cb,Pr/Cr mode
	Unacceptable	"Error Code" [CR]

9.7.6 CR_SRCINP4 Command

Command	"CR_SRCINP4" [CR]	
Details	Get Source of INPUT4	
Response	Acceptable	"000_%1" [CR]
	%1	"NETWORK" ----- With PJ-Net attached and the power ON
	Unacceptable	"101" [CR] ----- With PJ-Net attached and the power ON "103" [CR] ----- With PJ-Net unattached "?" [CR] ----- When unknown command is received.

9.7.7 CR_SYSTEM Command

Command	"CR_SYSTEM" [CR]	
Details	Get selected System	
Response	Acceptable	"000_%1" [CR] "VGA1" ----- indicates VGA1 is selected "VGA2" ----- indicates VGA2 is selected : "XGA1" ----- indicates XGA1 is selected : "WXGA3" ----- indicates WXGA3 is selected "1080P" ----- indicates 1080p is selected "1080I" ----- indicates 1080i is selected "1035I" ----- indicates 1035i is selected "720P" ----- indicates 720p is selected "575P" ----- indicates 575p is selected "480P" ----- indicates 480p is selected "575I" ----- indicates 575i is selected "480I" ----- indicates 480i is selected "1080PSF/24" ----- indicates 1080psf/24 is selected "1080PSF/25" ----- indicates 1080psf/25 is selected "1080PSF/30" ----- indicates 1080psf/30 is selected "MODE1" ----- indicates Mode1 is selected : "MODE10" ----- indicates Mode10 is selected "EXT11" ----- indicates EXT11 is selected : "EXT60" ----- indicates EXT60 is selected * Error Code "101" [CR] is returned for no signal
	%1	Input is PC-Digital/ AV-HDCP "D-XGA1" ----- indicates D-XGA1 is selected : "D-WXGA3" ----- indicates D-WXGA3 is selected "D-1080P" ----- indicates D-1080p is selected "D-1080I" ----- indicates D-1080i is selected "D-1035I" ----- indicates D-1035i is selected "D-720P" ----- indicates D-720p is selected "D-575P" ----- indicates D-575p is selected "D-480P" ----- indicates D-480p is selected "D-1080PSF/24" ----- indicates D-1080psf/24 is selected "D-1080PSF/25" ----- indicates D-1080psf/25 is selected "D-1080PSF/30" ----- indicates D-1080psf/30 is selected * Error Code "101" [CR] is returned for no signal
		Input is Y,Pb/Cb,Pr/Cr "AUTO" ----- indicates Auto is selected "1080P" ----- indicates 1080p is selected "1080I" ----- indicates 1080i is selected "1035I" ----- indicates 1035i is selected "720P" ----- indicates 720p is selected "575P" ----- indicates 575p is selected "480P" ----- indicates 480p is selected "575I" ----- indicates 575i is selected "480I" ----- indicates 480i is selected * Selected System is returned, whether or not signal is coming.
		Input is Video or S-video "AUTO" ----- indicates Auto is selected "NTSC" ----- indicates NTSC is selected "NTSC443" ----- indicates NTSC4.43 is selected "PAL" ----- indicates PAL is selected "SECAM" ----- indicates SECAM is selected "PAL-M" ----- indicates PAL-M is selected "PAL-N" ----- indicates PAL-N is selected * Selected System is returned, whether or not signal is coming.
	Unacceptable	"Error Code" [CR]

9.7.8 CR_SYSLIST Command

Command	"CR_SYSLIST" [CR]	
Details	Get possible systems for System list	
Response	Acceptable	"000_%1_%2_---_%x" [CR]
	%1	<p>Error Code "101" is returned for no signal. Otherwise following values are returned according to Source. When input is PC-Analog; "XGA1" ----- XGA1 is in the list "1080I" ----- 1080i is in the list "1080PSF/24" ----- 1080psf/24 is in the list "1080PSF/25" ----- 1080psf/25 is in the list "1080PSF/30" ----- 1080psf/30 is in the list * Auto, Mode1-10 shall not be returned.</p> <p>When input is PC-digital, AV-HDCP or HDMI; "D-XGA" ----- D-XGA is in the list "D-720P" ----- D720p is in the list "D-1080PSF/24" ----- D1080psf/24 is in the list "D-1080PSF/25" ----- D1080psf/25 is in the list "D-1080PSF/30" ----- D1080psf/30 is in the list</p> <p>When input is Y,Pb/Cb,Pr/Cr; All possible systems in Menu, including Auto, are returned; "AUTO" ----- Auto is in the list "1080I" ----- 1080i is in the list "1035I" ----- 1035i is in the list : "575I" ----- 575i is in the list "480I" ----- 480i is in the list</p> <p>When input is Video or S-video; All possible systems in Menu, including Auto, are returned; "AUTO" ----- Auto is in the list "PAL" ----- PAL is in the list "SECAM" ----- SECAM is in the list : "PAL-N" ----- PAL-N is in the list</p>
	Unacceptable	"Error Code" [CR]

9.7.9 CR_MODELIST Command

Command	"CR_MODELIST" [CR]	
Details	Get possible modes for Mode list	
Response	Acceptable	"000_%1_%2_---_%x" [CR]
	%1	<p>Error Code "101" is returned except for PC-Analog and for no signal with PC-Analog Possible modes in Mode1-10 are returned when PC-Analog signal is coming.</p> <p>"MODE1" "MODE2" "MODE3" : : "MODE8" "MODE9" "MODE10"</p>
	Unacceptable	"Error Code" [CR]

9.7.10 CR_HMSLOT Command

Command	"CR_HMSLOT" [CR]	
Details	Get the total number of Input.	
Response	Acceptable	"000_%1" [CR]
	%1	"004" ----- When PJ-Net is attached. "003" ----- When PJ-Net is not attached.
	Unacceptable	"Error Code" [CR]

9.7.11 CR_NMSLOT1 Command

Command	"CR_NMSLOT1" [CR]	
Details	Get terminal information of Input1	
Response	Acceptable	"000_%1" [CR]
	%1	"RGB-HDMI"
	Unacceptable	"Error Code" [CR]

9.7.12 CR_NMSLOT2 Command

Command	"CR_NMSLOT2" [CR]	
Details	Get terminal information of Input2	
Response	Acceptable	"000_%1" [CR]
	%1	"5BNC"
	Unacceptable	"Error Code" [CR]

9.7.13 CR_NMSLOT3 Command

Command	"CR_NMSLOT3" [CR]	
Details	Get terminal information of Input3	
Response	Acceptable	"000_%1" [CR]
	%1	"VIDEO"
	Unacceptable	"Error Code" [CR]

9.7.14 CR_NMSLOT4 Command

Command	"CR_NMSLOT4" [CR]	
Details	Get terminal information of Input4	
Response	Acceptable	"000_%1" [CR]
	%1	"NETWORK" ----- When PJ-Net is attached. *With PJ-Net unattached, this command is invalid and error code "103" is returned. *With PJ-Net attached and the power OFF, error code "101" is returned. *In models not supporting PJ-Net, error code "103" is returned.
	Unacceptable	"Error Code" [CR]

9.7.15 CR_IDSLOT1 Command

Command	"CR_IDSLOT1" [CR]	
Details	Get ID information of Input1. This command is to determine sources possible to input.	
Response	Acceptable	"000_%1" [CR]
	%1	"32" ----- On-board (HDMI and D-Sub) Available source: DIGITAL, ANALOG, SCART, HDCP, HDMI
	Unacceptable	"Error Code" [CR]

9.7.16 CR_IDSLOT2 Command

Command	"CR_IDSLOT2" [CR]	
Details	Get ID information of Input2. This command is to determine sources possible to input.	
Response	Acceptable	"000_%1" [CR]
	%1	"41" ----- On-board (5BNC) Available source: ANALOG, VIDEO, YPBPR
	Unacceptable	"Error Code" [CR]

9.7.17 CR_IDSLOT3 Command

Command	"CR_IDSLOT3" [CR]	
Details	Get ID information of Input3. This command is to determine sources possible to input.	
Response	Acceptable	"000_%1" [CR]
	%1	"51" ----- On-board (3BNC and S-VIDEO) Available source: VIDEO, S-VIDEO, YPBPR
	Unacceptable	"Error Code" [CR]

9.7.18 CR_IDSLOT4 Command

Command	"CR_IDSLOT4" [CR]	
Details	Get ID information of Input4. This command is to determine sources possible to input.	
Response	Acceptable	"000_%1" [CR]
	%1	"13" ----- PJ-Net (Viewer capable) Available source: Network *With PJ-Net unattached, this command is invalid and error code "103" is returned. *With PJ-Net attached and the power OFF, error code "101" is returned. *In models not supporting PJ-Net, error code "103" is returned.
	Unacceptable	"Error Code" [CR]

9.8 Screen Status Read Command

9.8.1 CR_SCREEN Command

Command	"CR_SCREEN" [CR]	
Details	Get selected screen image size	
Response	Acceptable	"000_%1" [CR]
	%1	"NORMAL" ----- Normal mode "FULL" ----- Full screen mode "WIDE" ----- Wide(16:9) mode "TRUE" ----- True mode "ZOOM" ----- Zoom mode "NATURAL" ----- Natural mode "CUSTOM" ----- Custom mode
	Unacceptable	"Error Code" [CR] --- When command is not available in the given condition (such as being selected input). "?" [CR] --- When unknown command is received

9.8.2 CR_VSCALE Command

Command	"CR_VSCALE" [CR]	
Details	Get setting status of V scale	
Response	Acceptable	"000_%1" [CR]
	%1	"-32" – "035"
	Unacceptable	"Error Code" [CR]

9.8.3 CR_VPOS Command

Command	"CR_VPOS" [CR]	
Details	Get setting status of V Position	
Response	Acceptable	"000_%1" [CR]
	%1	"-15" – "015"
	Unacceptable	"Error Code" [CR]

9.8.4 CR_HSCALE Command

Command	"CR_HSCALE" [CR]	
Details	Get setting status of H scale	
Response	Acceptable	"000_%1" [CR]
	%1	"-32" – "035"
	Unacceptable	"Error Code" [CR]

9.8.5 CR_HPOS Command

Command	"CR_HPOS" [CR]	
Details	Get setting status of H Position	
Response	Acceptable	"000_%1" [CR]
	%1	"-15" – "015"
	Unacceptable	"Error Code" [CR]

9.8.6 CR_KYSTNMODE Command

Command	"CR_KYSTNMODE" [CR]	
Details	Get setting status of Keystone Store Mode	
Response	Acceptable	"000_%1" [CR]
	%1	"STR" ----- Store mode is "Store" "RST" ----- Store mode is "Reset"
	Unacceptable	"?" [CR] ----- When unknown command is received

9.8.7 CR_CORNERTESTPAT Command

Command	"CR_CORNERTESTPAT" [CR]	
Details	Get setting status of test pattern for Corner correction	
Response	Acceptable	"000_%1" [CR]
	%1	"RED" ----- Test pattern is red "WHITE" ----- Test pattern is white "BLUE" ----- Test pattern is blue "OFF" ----- Test pattern is not displayed
	Unacceptable	"Error Code" [CR]

9.8.8 CR_CEIL Command

Command	"CR_CEIL" [CR]	
Details	Get setting status of Ceiling	
Response	Acceptable	"000_%1" [CR]
	%1	"ON" ----- Ceiling projection is enabled "OFF" ----- Ceiling projection is disabled
	Unacceptable	"Error Code" [CR]

9.8.9 CR_REAR Command

Command	"CR_REAR" [CR]	
Details	Get setting status of Rear function	
Response	Acceptable	"000_%1" [CR]
	%1	"ON" ----- Rear projection is enabled "OFF" ----- Rear projection is disabled
	Unacceptable	"Error Code" [CR]

9.8.10 CR_SCREENASPECT Command

Command	"CR_SCREENASPECT"[CR]	
Details	Get status of Screen aspect	
Response	Acceptable	"000_%1"[CR]
	%1	"43MODE" Select 4:3 mode "169MODE" Select 16:9 mode "1610MODE" Select 16:10 mode
	Unacceptable	"Error code"[CR]

9.9 Lamp Status Read Command

9.9.1 CR_LAMPREPL Command

Command	"CR_LAMPREPL" [CR]	
Details	Get information of Lamp Replacement time	
Response	Acceptable	"000_%1" [CR]
	%1	"1Y" ----- indicates over lamp replacement time "1N" ----- indicates under lamp replacement time
	Unacceptable	"?" [CR]

9.9.2 CR_LAMPH Command

Command	"CR_LAMPH" [CR]	
Details	Get Lamp running time (in hours) * return actual lamp running time	
Response	Acceptable	"000_%1" [CR]
	%1	"00000 - 99999"
	Unacceptable	"Error Code" [CR]

9.9.3 CR_LAMPCORRESPH Command

Command	"CR_LAMPCORRESPH" [CR]	
Details	Get Lamp running time (in hours) *return lamp running time multiplied by a coefficient (not actual running time)	
Response	Acceptable	"000_%1" [CR]
	%1	"00000 – 99999"
	Unacceptable	"Error Code" [CR]

9.9.4 CR_LAMPMODE Command

Command	"CR_LAMPMODE" [CR]	
Details	Get setting status of Lamp mode	
Response	Acceptable	"000_%1" [CR]
	%1	"NORMAL" ----- Lamp mode is Normal status "ECO1" ----- Lamp mode is Eco1 status "ECO2" ----- Lamp mode is Eco2 status "AUTO" ----- Lamp mode is Auto status
	Unacceptable	"?" [CR]

9.9.5 CR_LAMPSTS Command

Command	"CR_LAMPSTS" [CR]	
Details	Get Lamp status	
Response	Acceptable	"000_%1" [CR]
	%1	"1" ----- Lamp is ON "10" ----- Lamp is OFF "1X" ----- Lamp Failure
	Unacceptable	"Error Code" [CR]

9.9.6 CR_PROJH Command

Command	"CR_PROJH" [CR]	
Details	Get total running time of Projector (in hours)	
Response	Acceptable	"000_%1" [CR]
	%1	"0000000 – 0099999"
	Unacceptable	"Error Code" [CR]

9.9.7 CR_HMLAMP Command

Command	"CR_HMLAMP" [CR]	
Details	Get total lamp number	
Response	Acceptable	"000_%1" [CR]
	%1	"001"
	Unacceptable	"Error Code" [CR]

9.10 Setting Status Read Command

9.10.1 CR_LANG Command

Command	"CR_LANG" [CR]	
Details	Get selected language	
Response	Acceptable	"000_%1" [CR]
	%1	"ENG" ----- English is selected "DEU" ----- German is selected "FRA" ----- French is selected "ITA" ----- Italian is selected "ESP" ----- Spanish is selected "POR" ----- Portuguese is selected "NED" ----- Dutch is selected "SVE" ----- Swedish is selected "JPN" ----- Japanese is selected "CHI" ----- Chinese is selected "KOR" ----- Korean is selected "RUS" ----- Russian is selected
	Unacceptable	"Error Code" [CR]

9.10.2 CR_MENUSIZE Command

Command	"CR_MENUSIZE" [CR]	
Details	Get setting status of Menu size	
Response	Acceptable	"000_%1" [CR]
	%1	"NORMAL" ----- Normal is selected "DOUBLE" ----- Double is selected
	Unacceptable	"Error Code" [CR]

9.10.3 CR_INPUTBUTTON Command

Command	"CR_INPUTBUTTON" [CR]	
Details	Get setting status of Input button	
Response	Acceptable	"000_%1" [CR]
	%1	"MODE1" ----- Input button mode is Mode1. "MODE2" ----- Input button mode is Mode2. "MODE3" ----- Input button mode is Mode3.
	Unacceptable	"Error Code" [CR]

9.10.4 CR_DISP Command

Command	"CR_DISP" [CR]	
Details	Get setting status of Display	
Response	Acceptable	"000_%1" [CR]
	%1	"ON" ----- Display is ON "CNTDWN OFF" ----- Count down is OFF "OFF" ----- Display is OFF
	Unacceptable	"Error Code" [CR]

9.10.5 CR_BACKGND Command

Command	"CR_BACKGND" [CR]	
Details	Get setting status of Screen for no signal	
Response	Acceptable	"000_%1" [CR]
	%1	"BLUE" ----- Blue Back is selected "USER" ----- User is selected "BLACK" ----- Black Back is selected
	Unacceptable	"Error Code" [CR]

9.10.6 CR_LOGO Command

Command	"CR_LOGO" [CR]	
Details	Get setting status of Logo	
Response	Acceptable	"000_%1" [CR]
	%1	"DFLT" ----- Default Logo is enabled "USER" ----- User is enabled "OFF" ----- Logo is disabled
	Unacceptable	"Error Code" [CR]

9.10.7 CR_LOGOLOCK Command

Command	"CR_LOGOLOCK" [CR]	
Details	Get setting status of Logo Lock function	
Response	Acceptable	"000_%1" [CR]
	%1	"ON" ----- Logo Lock is ON "OFF" ----- Logo Lock is OFF
	Unacceptable	"Error Code" [CR]

9.10.8 CR_PIP Command

Command	"CR_PIP" [CR]	
Details	Get status of "Picture in Picture" setting	
Response	Acceptable	"000_%1" [CR]
	%1	"OFF" ----- Off is selected "USER1" ----- User1 is selected "USER2" ----- User2 is selected "USER3" ----- User3 is selected "USER4" ----- User4 is selected "USER5" ----- User5 is selected
	Unacceptable	"Error Code" [CR]

9.10.9 CR_PIPADJ Command

Command	"CR_PIPADJ" [CR]	
Details	Get status (Free, Stored, or Adjust) of User1-User5 of "Picture in Picture".	
Response	Acceptable	"000_%1" [CR]
	%1	"FFSA" --- User4 is Stored, User5 is Adjust and others are Free : "FFFFS" --- Only User5 is Stored, others are Free "SSSSS" --- All Stored
	Unacceptable	"Error Code" [CR]

9.10.10 CR_PIPMODE Command

Command	"CR_PIP" [CR]	
Details	Get Mode in "Picture in Picture"	
Response	Acceptable	"000_%1" [CR]
	%1	"PINP" ----- P in P is selected "PBYP" ----- P by P is selected
	Unacceptable	"Error Code" [CR]

9.10.11 CR_PIPMAININP Command

Command	"CR_PIPMAININP" [CR]	
Details	Get Input and Source for "Picture in Picture". (Main picture)	
Response	Acceptable	"000_%1_%2" [CR]
	%1	"1" ----- Input1 is selected "2" ----- Input2 is selected "3" ----- Input3 is selected
	%2	"DIGITAL" ----- DVI Input is selected "ANALOG" ----- ANALOG RGB is selected "VIDEO" ----- Video Input is selected "S-VIDEO" ----- S-VIDEO Input is selected "YPBPR" ----- Y, Pb/Cb, Pr/Cr Input is selected "SCART" ----- SCART Input is selected "HDCP" ----- HDCP Input is selected "HDMI" ----- HDMI Input is selected
	Unacceptable	"Error Code" [CR]

9.10.12 CR_PIPSUBINPU Command

Command	"CR_PIPSUBINP" [CR]	
Details	Get Input and Source for "Picture in Picture". (Sub picture)	
Response	Acceptable	"000_%1_%2" [CR]
	%1	"1" ----- Input1 is selected "2" ----- Input2 is selected "3" ----- Input3 is selected
	%2	"DIGITAL" ----- DVI Input is selected "ANALOG" ----- ANALOG RGB is selected "VIDEO" ----- Video Input is selected "S-VIDEO" ----- S-VIDEO Input is selected "YPBPR" ----- Y, Pb/Cb, Pr/Cr Input is selected "SCART" ----- SCART Input is selected "HDCP" ----- HDCP Input is selected "HDMI" ----- HDMI Input is selected
	Unacceptable	"Error Code" [CR]

9.10.13 CR_PIPSIZE Command

Command	"CR_PIPSIZE" [CR]	
Details	Get picture size for "Picture in Picture". (Sub picture)	
Response	Acceptable	"000_%1_%2" [CR]

	%1	"1" ----- 10% is selected(Main size) "2" ----- 20% is selected(Main size) "3" ----- 30% is selected(Main size) "4" ----- 40% is selected(Main size) "5" ----- 50% is selected(Main size) "6" ----- 60% is selected(Main size) "7" ----- 70% is selected(Main size) "8" ----- 80% is selected(Main size) "9" ----- 90% is selected(Main size) "10" ----- 100% is selected(Main size)
	%2	"1" ----- 10% is selected(Sub size) "2" ----- 20% is selected(Sub size) "3" ----- 30% is selected(Sub size) "4" ----- 40% is selected(Sub size) "5" ----- 50% is selected(Sub size)
	Unacceptable	"Error Code" [CR]

9.10.14 CR_PIPFRAMELOCK Command

Command	"CR_PIPFRAMELOCK" [CR]	
Details	Get setting status of Frame lock in "Picture in Picture".	
Response	Acceptable	"000_%1" [CR]
	%1	"MAIN" ----- Main picture is selected "SUB" ----- Sub picture is selected
	Unacceptable	"Error Code" [CR]

9.10.15 CR_PIPSTORE Command

Command	"CR_PIPSTORE" [CR]	
Details	Get status (Free or Stored) of User1-User5 for "Picture in Picture". Data consists of 5 bytes and each byte represents User1-5. (F:Free, S:Stored)	
Response	Acceptable	"000_%1" [CR]
	%1	"SFFFF" ----- Only User1 is Stored, others are Free : "FFFFS" ----- Only User5 is Stored, others are Free "SSSSS" ----- All Stored
	Unacceptable	"Error Code" [CR]

9.10.16 CR_EDGEBLENDING Command

Command	"CR_EDGEBLENDING" [CR]	
Details	Get setting status of Edge blending	
Response	Acceptable	"000_%1" [CR]
	%1	"ON" ----- On is selected "OFF" ----- Off is selected
	Unacceptable	"Error Code" [CR]

9.10.17 CR_BLEND Command

Command	"CR_BLEND" [CR]	
Details	Get all values set for Width in Edge blending	
Response	Acceptable	"000_%1_%2_%3_%4" [CR]

	%1, %2, %3, %4	<p>Left width data comes first, and then one space, after that right width data is followed.</p> <p>%1 = Left width %2 = Right width %3 = Top width %4 = Bottom width</p> <p>e.g. "0100_0100_0100_0100"[CR] →Left = width 100 Right = width 100 Top = width 100 Bottom = width 100</p>
	Unacceptable	"Error Code" [CR]

9.10.18 CR_BLENDSTART Command

Command	"CR_BLENDSTART" [CR]	
Details	Get all values set for Start in Edge blending	
Response	Acceptable	"000_%1_%2_%3_%4" [CR]
	%1, %2, %3, %4	<p>Left width data comes first, and then one space, after that right width data is followed.</p> <p>%1 = Left width %2 = Right width %3 = Top width %4 = Bottom width</p> <p>e.g. "0100_0100_0100_0100"[CR] →Left = width 100 Right = width 100 Top = width 100 Bottom = width 100</p>
	Unacceptable	"Error Code" [CR]

9.10.19 CR_BLENDBLK Command

Command	"CR_BLENDBLK" [CR]	
Details	Get all values set for Black level in Edge blending	
Response	Acceptable	"000_%1_%2_%3" [CR]
	%1, %2, %3	<p>Data of red comes first, and then one space, after that data of green is followed.</p> <p>%1 = Red %2 = Green %3 = Blue</p> <p>e.g. "0100_0100_0100"[CR] →Red = 100 Green = 100 Blue = 100</p>
	Unacceptable	"Error Code" [CR]

9.10.20 CR_BLENDTESTPAT Command

Command	"CR_BLENDTESTPAT" [CR]	
Details	Get setting status of Test pattern of Edge blending	

Response	Acceptable	"000_%1" [CR]
	%1	"ON" ----- On is selected "OFF" ----- Off is selected
	Unacceptable	"Error Code" [CR]

9.10.21 CR_COLORMATCHING Command

Command	"CR_COLORMATCHING" [CR]	
Details	Get setting status of Color matching	
Response	Acceptable	"000_%1" [CR]
	%1	"ON" ----- On is selected "OFF" ----- Off is selected
	Unacceptable	"Error Code" [CR]

9.10.22 CR_CMMSXY_%1 Command

Command	"CR_CMMSXY_%1" [CR]	
Details	Get "x","y" value of Measured of Color matching	
Response	Acceptable	"000_%2_%3" [CR]
	%1	"RED" ----- value of Red is selected "GREEN" ----- value of Green is selected "BLUE" ----- value of Blue is selected
	%2	"0000"-1000"----- "x" value of color of %1
	%3	"0000"-1000"----- "y" value of color of %1
	Unacceptable	"Error Code" [CR]

9.10.23 CR_CMMSL_%1 Command

Command	"CR_CMMSL_%1" [CR]	
Details	Get "L" value of Measured of Color matching	
Response	Acceptable	"000_%2" [CR]
	%1	"RED" ----- value of Red is selected "GREEN" ----- value of Green is selected "BLUE" ----- value of Blue is selected
	%2	"0000"-1000"----- "L" value of color of %1
	Unacceptable	"Error Code" [CR]

9.10.24 CR_CMTGXY_%1 Command

Command	"CR_CMMTGXY_%1" [CR]	
Details	Get "x""y" value of Target of Color matching	
Response	Acceptable	"000_%2" [CR]
	%1	"RED" ----- value of Red is selected "GREEN" ----- value of Green is selected "BLUE" ----- value of Blue is selected "WHITE" ----- value of White is selected "CYAN" ----- value of Cyan is selected "MAGENTA" ----- value of Magenta is selected "YELLOW" ----- value of Yellow is selected
	%2	"0000"-1000"----- "x" value of color of %1
	%3	"0000"-1000"----- "y" value of color of %1

	Unacceptable	"Error Code" [CR]
--	--------------	-------------------

9.10.25 CR_CMTGG_%1 Command

Command	"CR_CMMTGG_%1" [CR]	
Details	Get "g" value of Target of Color matching	
Response	Acceptable	"000_%2" [CR]
	%1	"RED" ----- value of Red is selected "GREEN" ----- value of Green is selected "BLUE" ----- value of Blue is selected "WHITE" ----- value of White is selected "CYAN" ----- value of Cyan is selected "MAGENTA" ----- value of Magenta is selected "YELLOW" ----- value of Yellow is selected
	%2	"0000"- "1000" ----- "g" value of color of %1
	Unacceptable	"Error Code" [CR]

9.10.26 CR_CMAUTOTESTPAT Command

Command	"CR_CMAUTOTESTPAT" [CR]	
Details	Get setting status of Auto test pattern of Color matching	
Response	Acceptable	"000_%1" [CR]
	%1	"ON" ----- On is selected "OFF" ----- Off is selected
	Unacceptable	"Error Code" [CR]

9.10.27 CR_CMMSTESTPAT Command

Command	"CR_CMMSTESTPAT" [CR]	
Details	Get setting status of Test pattern(Measured) of Color matching	
Response	Acceptable	"000_%1" [CR]
	%1	"RED" ----- Red is displayed "GREEN" ----- Green is displayed "BLUE" ----- Blue is displayed "OFF" ----- Test pattern display is not displayed
	Unacceptable	"Error Code" [CR]

9.10.28 CR_CMTGTESTPAT Command

Command	"CR_CMTGTESTPAT" [CR]	
Details	Get setting status of Test pattern(Target) of Color matching	
Response	Acceptable	"000_%1" [CR]
	%1	"RED" ----- Red is displayed "GREEN" ----- Green is displayed "BLUE" ----- Blue is displayed "WHITE" ----- White is displayed "CYAN" ----- Cyan is displayed "MAGENTA" ----- Magenta is displayed "YELLOW" ----- Yellow is displayed "OFF" ----- Test pattern display is not displayed
	Unacceptable	"Error Code" [CR]

9.10.29 CR_HDMI SETUP Command

Command	"CR_HDMI SETUP"[CR]	
Details	Get status of Image mode in HDMI setup	
Response	Acceptable	"000_%1"[CR]
	%1	"NORMAL" ----- Image mode is Normal "ENHANCED" ----- Image mode is Enhanced
	Unacceptable	"Error code"[CR]

9.10.30 CR_FILREMAIN Command

Command	"CR_FILREMAIN" [CR]	
Details	Get remaining number of usable Filter scroll	
Response	Acceptable	"000_%1" [CR]
	%1	"09" = Remaining number of usable Filter scroll : 9 times "00" = Remaining number of usable Filter scroll : 0 time
	Unacceptable	"Error Code" [CR]

9.10.31 CR_FILH Command

Command	"CR_FILH" [CR]	
Details	Get Filter used time	
Response	Acceptable	"000_%1" [CR]
	%1	"00000 - 99999"
	Unacceptable	"Error Code" [CR]

9.10.32 CR_FILTIMER Command

Command	"CR_FILTIMER" [CR]	
Details	Get Filter used time	
Response	Acceptable	"000_%1" [CR]
	%1	"0400" ----- Display message by 400h used. "0700" ----- Display message by 700h used. "1000" ----- Display message by 1000h used. "OFF" ----- Off(Warning display is not displayed)
	Unacceptable	"Error Code" [CR]

9.10.33 CR_FILCOND Command

Command	"CR_FILCOND" [CR]	
Details	Get status of filter clog	
Response	Acceptable	"000_%1" [CR]
	%1	"CLOG" = Filter is clogged "WARN" = Filter is nearly clogged "CLEAN" = Filter is not clogged
	Unacceptable	"Error Code" [CR]

9.10.34 CR_FILREPL Command

Command	"CR_FILREPL" [CR]	
Details	Get status of Filter cleaning / replacement time	

Response	Acceptable	"000_%1" [CR]
	%1	"1Y"-----Filter Exchange time is over value of Filter Message. "1N"--Filter Exchange time is not over value of Filter Message.
	Unacceptable	"Error Code" [CR]

9.10.35 CR_FANSPEED Command

Command	"CR_FANSPEED" [CR]	
Details	Get selected Fan Control Speed mode.	
Response	Acceptable	"000_%1" [CR]
	%1	"MAX" ----- Max mode is selected "NOR" ----- Normal mode is selected
	Unacceptable	"Error Code" [CR]

9.10.36 CR_SIMPLEMODE Command

Command	"CR_SIMPLEMODE" [CR]	
Details	Get setting status of Simple mode.	
Response	Acceptable	"000_%1" [CR]
	%1	"ON" ----- Simple mode is ON "OFF" ----- Simple mode is OFF
	Unacceptable	"Error Code" [CR]

9.10.37 CR_RCODE Command

Command	"CR_RCODE" [CR]	
Details	Get selected Remote Control Code	
Response	Acceptable	"000_%1" [CR]
	%1	"001" ----- Code 1 is selected "002" ----- Code 2 is selected "003" ----- Code 3 is selected "004" ----- Code 4 is selected "005" ----- Code 5 is selected "006" ----- Code 6 is selected "007" ----- Code 7 is selected "008" ----- Code 8 is selected
	Unacceptable	"Error Code" [CR]

9.10.38 CR_RSENS Command

Command	"CR_RSENS" [CR]	
Details	Get selected location of infrared remote receiver of remote control	
Response	Acceptable	"000_%1" [CR]
	%1	"BOTH" ----- Select both front and back receiver of projector "TOP" ----- Select only top receiver of projector "BACK" ----- Select only back receiver of projector
	Unacceptable	"Error Code" [CR]

9.10.39 CR_RTYPE Command

Command	"CR_RTYPE" [CR]	
Details	Get status of supported Remote Control (IR/RF).	

Response	Acceptable	"000_%1" [CR]
	%1	"IR" ----- IR "RF" ----- RF (cannot be returned as this model supports only IR remote control)
	Unacceptable	"Error Code" [CR]

9.10.40 CR_P-MANE Command

Command	"CR_P-MANE" [CR]	
Details	Get setting status of Power management	
Response	Acceptable	"000_%1" [CR]
	%1	"OFF" ----- Power Management is disabled "READY1" ----- Power Management is set to Ready1 "READY2" ----- Power Management is set to Ready2 "SHUTDOWN" ----- Power Management is set to Shut Down mode
	Unacceptable	"Error Code" [CR]

9.10.41 CR_P-MANETIME Command

Command	"CR_P-MAETIME" [CR]	
Details	Get setting time for starting Power Management function	
Response	Acceptable	"000_%1" [CR]
	%1	"001 – 030" ----- 1 to 30 minutes
	Unacceptable	"Error Code" [CR]

9.10.42 CR_ON-STA Command

Command	"CR_ON-STA" [CR]	
Details	Get Direct on setting status	
Response	Acceptable	"000_%1" [CR]
	%1	"ON" ----- Direct on is active "OFF" ----- Direct on is inactive
	Unacceptable	"Error Code" [CR]

9.10.43 CR_POINTER Command

Command	"CR_POINTER" [CR]	
Details	Get setting status of Pointer	
Response	Acceptable	"000_%a" [CR]
	%1	"ARROW" ----- Arrow Pointer mode "FINGER" ----- Finger Pointer mode "LASER" ----- Dot Pointer mode
	Unacceptable	"Error Code" [CR]

9.10.44 CR_PTIMEMODE Command

Command	"CR_PTIMEMODE" [CR]	
Details	Get setting status of count up/down mode in P-timer	
Response	Acceptable	"000_%a" [CR]

	%1	“COUNTUP” ----- Set P-timer to Count up mode “COUNTDN” ----- Set P-timer to Count down mode
	Unacceptable	“Error Code” [CR]

9.10.45 CR_PTIMER Command

Command	“CR_PTIMER” [CR]	
Details	Get setting status of P-timer	
Response	Acceptable	“000_%a” [CR]
	%1	“ON” ----- P-timer is activated “STOP” ----- P-timer is temporarily suspended “OFF” ----- Exit P-timer function
	Unacceptable	“Error Code” [CR]

9.10.46 CR_PTIME Command

Command	“CR_PTIME” [CR]	
Details	Get setting time for count down mode of P-timer	
Response	Acceptable	“000_%a” [CR]
	%1	“001” – “180” ----- 1 to 180 minutes
	Unacceptable	“Error Code” [CR]

9.10.47 CR_KEYDIS Command

Command	“CR_KEYDIS” [CR]	
Details	Get status of RC/KEY (valid or invalid)	
Response	Acceptable	“000_%1” [CR]
	%1	“NONE” ----- RC and KEY, both are valid “RC” ----- RC is invalid “KEY” ----- KEY is invalid
	Unacceptable	“Error Code” [CR]

9.10.48 CR_SECURITY Command

Command	“CR_SECURITY” [CR]	
Details	Get ON/OFF setting status of Security on menu.	
Response	Acceptable	“000_%1” [CR]
	%1	“ON” ----- PJ is locked “OFF” ----- PJ is not locked.
	Unacceptable	“Error Code” [CR]

9.10.49 CR_PJLOCKNOW Command

Command	“CR_PJLOCKNOW” [CR]	
Details	Get actual setting status of PIN code lock	
Response	Acceptable	“000_%1” [CR]

	%1	<p>“LOCK” ----- PJ is locked PIN code lock is set to ON1/ON2 on the menu and PJ PIN code is not entered, therefore PJ is actually locked.</p> <p>“FREE” ----- PJ is unlocked (either A or B) A) PJ lock is set to OFF on the menu B) PJ lock is set to ON1/ON2 on the menu, but PIN code Lock mode is released because PJ PIN code is entered.</p>
	Unacceptable	“Error Code” [CR]

9.10.50 CR_PJLOCKMENU Command

Command	“CR_PJLOCKMENU” [CR]	
Details	Get ON/OFF setting status of PIN code lock on menu	
Response	Acceptable	“000_%1” [CR]
	%1	<p>“ON1” ----- PIN code lock ON 1 is set on the menu “ON2” ----- PIN code lock ON 2 is set on the menu “OFF” ----- PIN code lock OFF is set on the menu</p>
	Unacceptable	“Error Code” [CR]

9.10.51 CR_SHUTPROT Command

Command	“CR_SHUTPROT” [CR]	
Details	Get disability state of Side panel and RC key for controlling shutter	
Response	Acceptable	“000_%1” [CR]
	%1	<p>“OFF” ----- RC and Side panel are both valid. “RC” ----- RC is invalid “KEY” ----- KEY is invalid “BOTH” ----- RC and Side panel are both invalid.</p>
	Unacceptable	“Error Code” [CR]

9.10.52 CR_SHUTRELEASE Command

Command	“CR_SHUTRELEASE” [CR]	
Details	Get status of Shutter release key function.	
Response	Acceptable	“000_%1” [CR]
	%1	<p>“ANY” ----- Enable to release Shutter with any key “SHUTTER” ----- Enable to release Shutter with only “SHUTTER” key</p>
	Unacceptable	“Error Code” [CR]

9.10.53 CR_SHUTH Command

Command	“CR_SHUTH” [CR]	
Details	Get time setting to start the shutter management	
Response	Acceptable	“000_%1” [CR]
	%1	<p>“005” ----- 5 minutes “006” ----- 6 minutes : “479” ----- 479 minutes “480” ----- 480 minutes</p>
	Unacceptable	“Error Code” [CR]

9.10.54 CR_CCATIONDISP Command

Command	"CR_CCATIONDISP"[CR]	
Details	Get selected channel of Closed caption	
Response	Acceptable	"000_%a"[CR]
	%a	"OFF" ----- Off "CC1" ----- CC1 is selected "CC2" ----- CC2 is selected "CC3" ----- CC3 is selected "CC4" ----- CC4 is selected
	Unacceptable	"Error Code"[CR]

9.10.55 CR_CCATIONCOLOR Command

Command	"CR_CCATIONCOLOR"[CR]	
Details	Get selected color of Closed caption	
Response	Acceptable	"000"[CR]
	%a	"COLOR" ----- Color is selected "WHITE" ----- White is selected
	Unacceptable	"Error Code"[CR]

9.10.56 CR_DELAYCTRL Command

Command	"CR_DELAYCTRL" [CR]	
Details	Get setting status of Video delay control	
Response	Acceptable	"000_%1" [CR]
	%1	"OFF"----- Set Video delay control to OFF "LOW"----- Set Video delay control to LOW "MID"----- Set Video delay control to MID "HIGH"----- Set Video delay control to HIGH
	Unacceptable	"Error Code" [CR]

9.10.57 CR_TESTPAT Command

Command	"CR_TESTPAT" [CR]	
Details	Get setting status of Test pattern	
Response	Acceptable	"000_%1" [CR]
	%1	"COLOR" ----- Color bar is displayed "GRAD1" ----- 16step(white→black) is displayed "GRAD2" ----- 16step(white←black) is displayed "GRAD3" ----- 16step(white↓black) is displayed "GRAD4" ----- 16step(white↑black) is displayed "WHITE" ----- All white is displayed "BLACK" ----- All black is displayed "CROSS" ----- Cross is displayed "OFF" ----- Test pattern display is not displayed
	Unacceptable	"Error Code" [CR]

9.11 Other Status Read Commands

9.11.1 CR_STATUS Command

COMMAND	"CR_STATUS" [CR]	
Detail	Get operating status of Projector Same as "CR0" in basic command except error code follows it.	
Response	Acceptable	"000_%1" [CR]
	%1	"00" = Power ON "80" = Standby "40" = Countdown in process "20" = Cooling Down in process "10" = Power Failure "28" = Cooling Down in process due to abnormal temperature "88" = Standby after Cooling Down due to abnormal temperature "24" = Power Save/Cooling Down in process "04" = Power Save "21" = Cooling Down in process after turned Off due to lamp failure "81" = Standby after Cooling Down due to lamp failure "2C" = Cooling Down in process after Power Off due to Shutter management "8C" = Standby after Cooling Down due to Shutter management
	Unacceptable	"Error Code" [CR]

9.11.2 CR_SIGNAL Command

Command	"CR_SIGNAL" [CR]	
Details	Get status whether there is any signal or not.	
Response	Acceptable	"000_%1" [CR]
	%1	"ON" ----- There is signal "OFF" ----- There is no signal
	Unacceptable	"Error Code" [CR]

9.11.3 CR_VMUTE Command

Command	"CR_VMUTE" [CR]	
Details	Get setting status of Video Mute.	
Response	Acceptable	"000_%1" [CR]
	%1	"ON" ----- Set Video Mute (Shutter CLOSE) "OFF" ----- Cancel Video Mute (Shutter OPEN)
	Unacceptable	"Error Code" [CR]

9.11.4 CR_FREEZE Command

Command	"CR_FREEZE" [CR]	
Details	Get setting status of Freeze.	
Response	Acceptable	"000_%1" [CR]
	%1	"ON" ----- Freeze is enabled "OFF" ----- Freeze is disabled
	Unacceptable	"Error Code" [CR]

9.11.5 CR_TEMPFAIL Command

Command	"CR_TEMPFAIL" [CR]	
Details	Get the temperature inside a projector when abnormal temperature status occurs. It is possible to get the temperatures all at once when several sensors installed.	
Response	Acceptable	"000_%1_%2_%3" [CR]
	%1,%2,%3	<p>%1 ----- Sensor 1 temp. %2 ----- Sensor 2 temp. %3 ----- Sensor 3 temp. e.g. "_31.5F" "_" indicates a space. When the temperature goes under 0, the first character is "-", not a space, as in "-05.5F". With more than one temperature sensors installed, projector returns responses in a row. e.g. "_31.5F _35.2S _38.0W" [CR] The first data indicates sensor 1 data, then one space, and sensor 2 data. Last character in each data indicates the sensor's status. "F" ----- Exceeding critical temp. (abnormal temp.) "W" ----- Approaching critical temp. (Warning temp.) "S" ----- Sensor temp. is safe (Safe temp.) "N" ----- Sensor detects no critical temp. "E" ----- Unable to return the temp. data</p> <p>The example 1 shows that sensor 1 indicates 31.5 degrees and the temperature is abnormal, sensor 2 indicates 35.2 degrees and the temperature is safe, sensor 3 indicates 38.0 degrees and the temperature is approaching critical state. When the temperature is safe, all data is represented as "_00.0S". When the projector is reset, "_00.0S" is set, and every time abnormal temperature occurs, it renews the data and returns it. In short, it only returns the renewed data of the latest abnormal temperature and the previous data is deleted.</p>
	Unacceptable	"Error Code" [CR]

9.11.6 CR_TEMP Command

Command	"CR_TEMP" [CR]	
Details	Get the current temperature information inside a projector. It is possible to get the temperatures all at once when several sensors installed.	
Response	Acceptable	"000_%1_%2_%3" [CR]
	%1, %2, %3	<p>%1 ----- Sensor 1 temp. (External temp.) %2 ----- Sensor 2 temp. (Internal temp.1) %3 ----- Sensor 3 temp. (Internal temp.2) %1, %2 are fixed 6 characters There is one space between %1 and %2 There is one space between %2 and %3 e.g. "_ 31.5F"]</p> <p>"_" indicates a space. When the temperature goes under 0, the first character is "-", not a space, as in "-05.5F". Last character in each data indicates the sensor's status. "F" ----- Exceeding critical temp. (abnormal temp.) "W" ----- Approaching critical temp. (Warning temp.) "S" ----- Sensor temp. is safe (Safe temp.) "N" ----- Sensor detects no critical temp. "E" ----- Unable to return the temp. data</p> <p>With more than one temperature sensors installed, projector returns responses in a row. e.g. "_ 31.5F _ 35.2S _ 38.0W " [CR] The first data indicates sensor 1 data, then one space, and sensor 2 data.</p> <p>The example 1 shows that sensor 1 indicates 31.5 degrees and the temperature is abnormal, sensor 2 indicates 35.2 degrees and the temperature is safe, sensor 3 indicates 38.0 degrees and the temperature is approaching critical state. When it cannot return the temperature data due to hardware error, the last character is "E" as in "_00.0E" It might happen for some projectors that the temperature continues to go up to abnormal status as long as lamp ballasts are hot. Therefore when in Standby mode or for several tens of seconds after Power is ON, any treatment of Power Failure is not processed. In that case, the temperature data is represented as "_ - - - N".</p>
	Unacceptable	"Error Code" [CR]

9.11.7 CR_SHUTCOND Command

Command	"CR_SHUTCOND" [CR]	
Details	Get setting status of Shutter.	
Response	Acceptable	"000_%1" [CR]
	%1	<p>"SAFE" ----- Shutter operation is normal. "FAIL" ----- Shutter operation is abnormal.</p>
	Unacceptable	"Error Code" [CR]

9.11.8 CR_SERIALNO Command

Command	"CR_SERIALNO" [CR]	
Details	Get value of the serial number.	
Response	Acceptable	"000_%1" [CR]
	%1	Eight digits of alphanumeric characters
	Unacceptable	"Error Code" [CR]