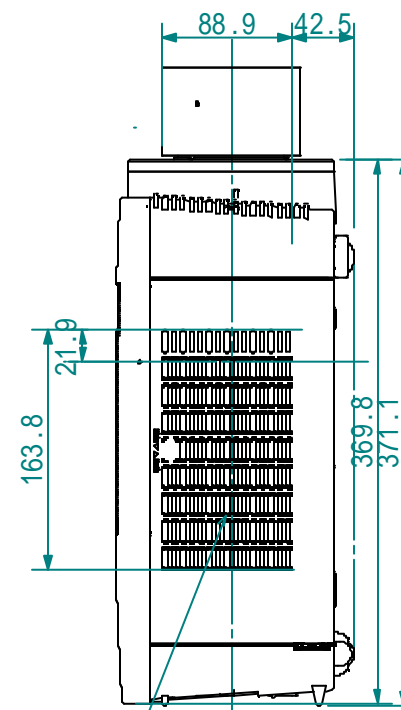
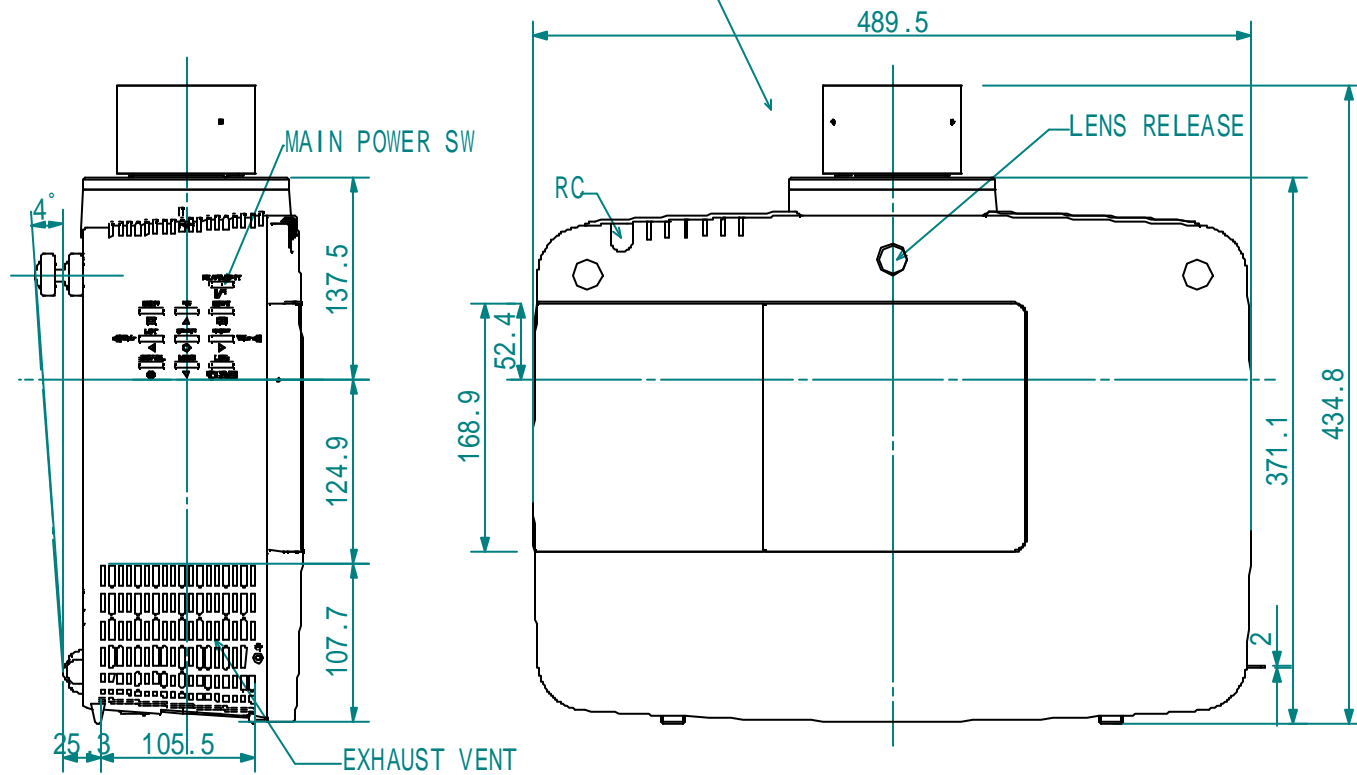
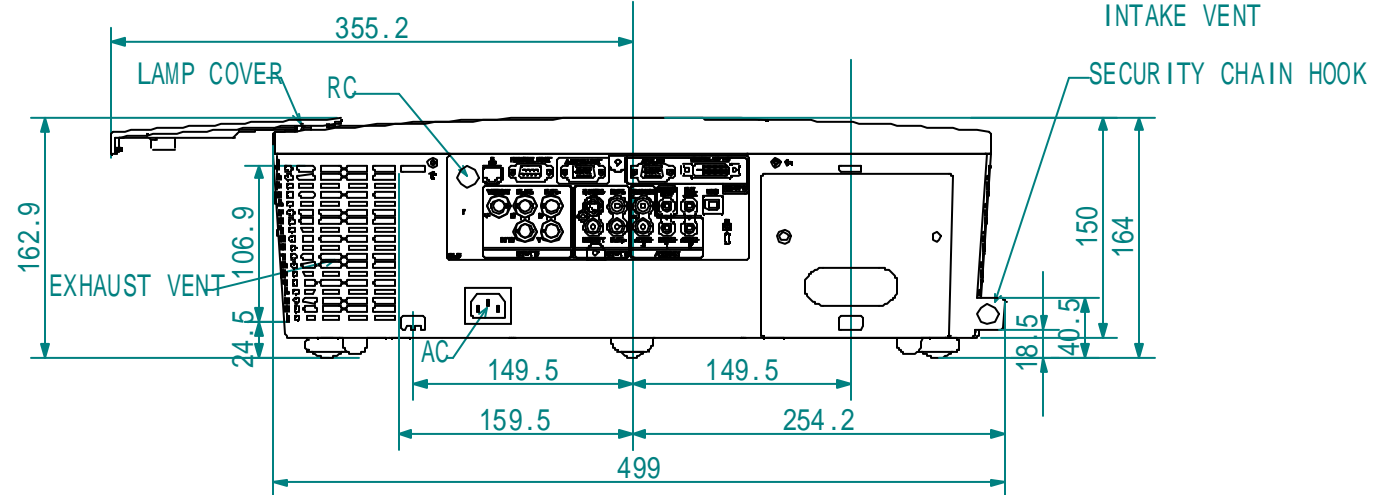
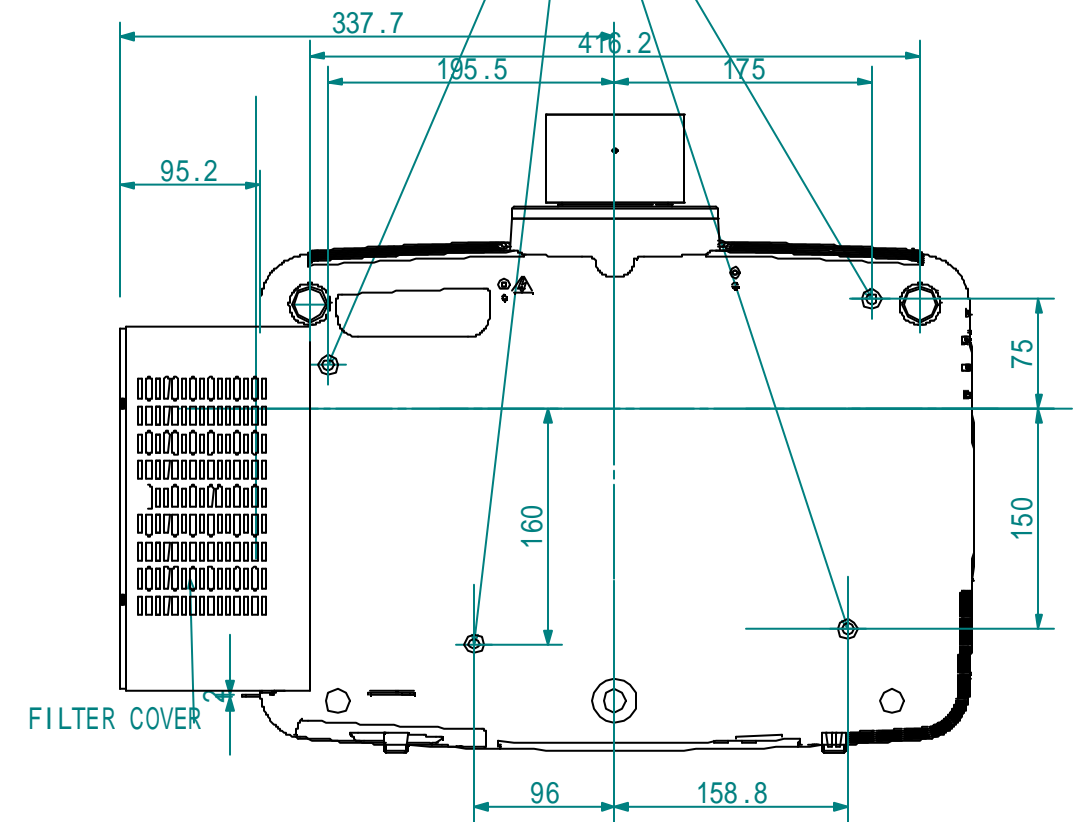


REFER TO THE TABLE



4-M6mm DIAMETER DEPTH MAX 10mm



EIKI INDUSTRIAL CO., LTD.			APPROVE	CHECKED	DESIGNED	DRAWN	PART NAME/PART NAME
PLOT DATE	10/8/9	SCALE	1/5				Appearance dimensional drawing
MATERIAL	UNIT	WEIGHT	PART CODE		DRAWING NUMBER		
			LC-WXL200				